



2025  
**DOWNLIGHT**

TAKE YOU INTO THE WORLD WITHOUT  
THEM LIGHTS

PRODUCTION OF LIGHTING INCLUDING LED DOWNLIGHTS, LED TRACK LIGHTS, LED WALL LIGHTS, LED CEILING LIGHTS, LED PENDANT LIGHTS AND LED MAGNETIC LAMP

**UR<sup>®</sup>**  
**UR LIGHTING**  
**CONTACT US**

Add: NO5/3.Kanglong 3rd Road, Xinmao Industrial Area,  
Henglan Town Zhongshan City Guangdong Province.China

Website: <https://www.ur-lights.com>

Tel: +86 13925354948

Fax: +86 760 88752733

E-mail: [urlighting@urlighting86.com](mailto:urlighting@urlighting86.com) [jennifer@urlighting86.com](mailto:jennifer@urlighting86.com)

Facebook: [ur.lighting.page](https://www.facebook.com/ur.lighting.page)

Instagram: [urledlighting](https://www.instagram.com/urledlighting)





# About Company

UR Lighting is a trusted brand



- 10+ years manufacturing experience
- Annual output value of \$20 million
- Full service, reputable firm
- Strict quality control process

URLIGHTING

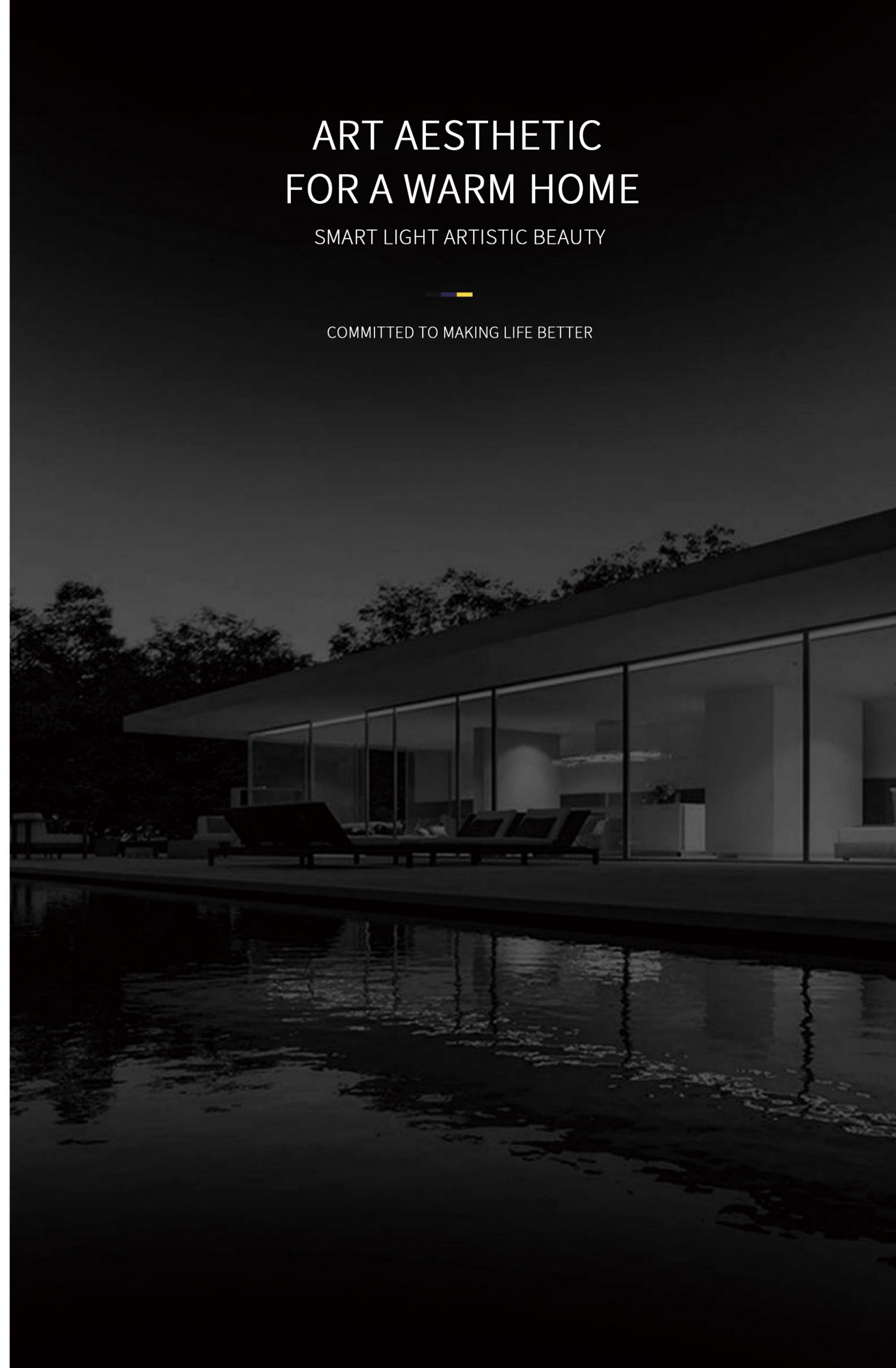
10+ years manufacturing experience

## ART AESTHETIC FOR A WARM HOME

SMART LIGHT ARTISTIC BEAUTY

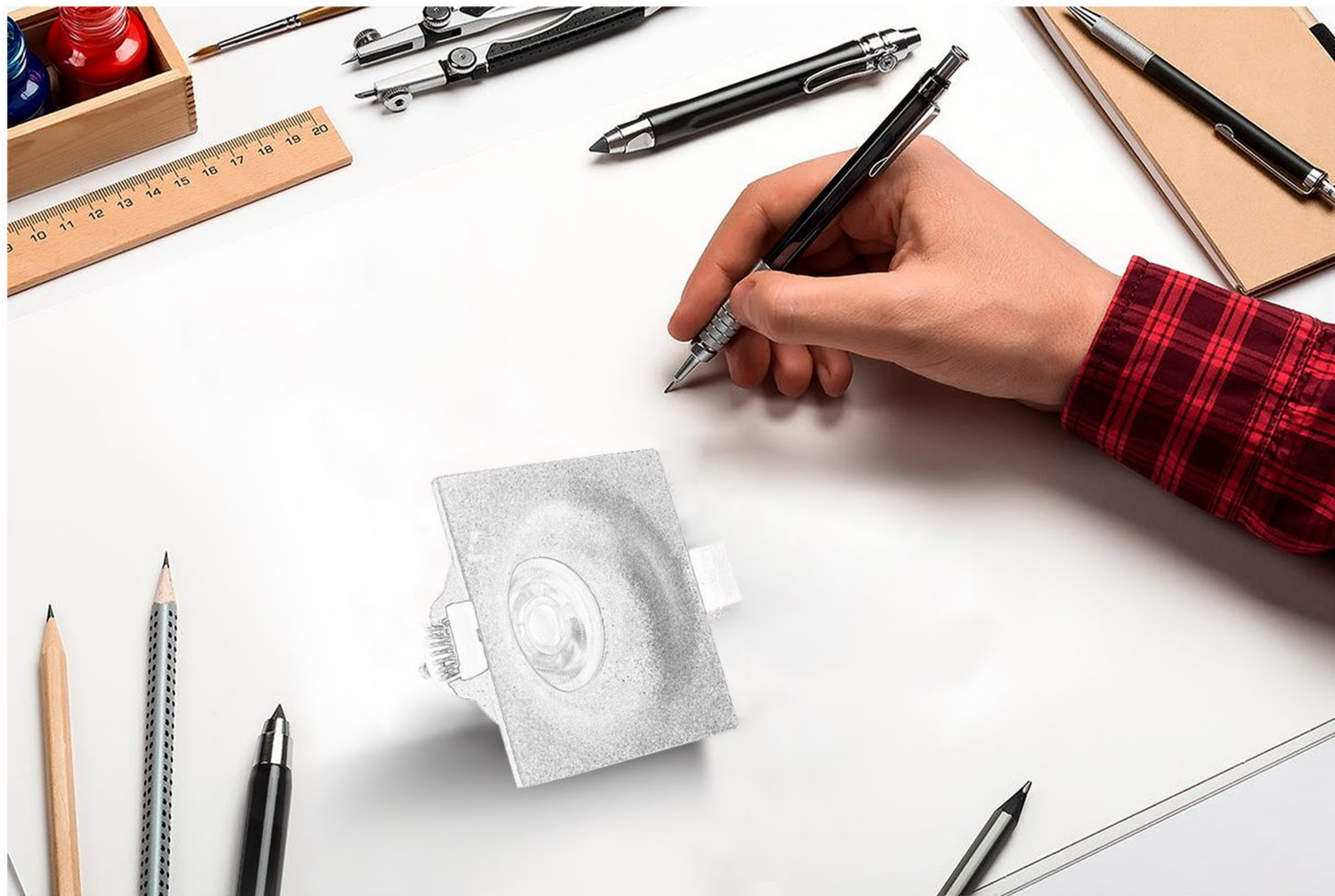


COMMITTED TO MAKING LIFE BETTER



# DESIGNER'S LAMP

## UR art manufacturing, taste life



### Attention to detail & Create perfect quality

Well-equipped apparatus and instruments, and strict quality control throughout all stages of production; Owning R&D team with 7 experienced qualified engineers;

10-20 new items are currently distributed to market every month;  
One stop of complete solution for lighting projects; Unique imagination and designing, advanced developing technologies; Strict quality parameters conformed with standards.

# UR LIGHTING

## Advantage

The greatest advantage of ours is to design, develop and produce , creative, LED lights. No matter what kinds of LED lights you like, just tell us your demand, the best solution would be provided by our professional engineers, 7 well experienced engineers in the R&D dept. And also we customize available tailored solutions for various lighting projects.

Using what we have learned and accumulated experience, we are constantly moving forward and creating new concepts.

- 1) Thanks to our perfect PMC system, production system and strict quality control system with perfect inspection process.
- 2) All new products undergoes stringent validation and age testing prior to production. All products undergoes "burn in" test prior to packing. orders are QC inspected by our staff prior to shipping.
- 3) design style of the luminaire to meet the needs of the decoration style of the use of the regional space;
- 4) High cost performance, convenient installation, beautiful fashion and simple shape
- 5) Our engineers have the comprehensive ability of structure development, optical design, thermal design to meet customers' various demands.



# By your side

We understand and support your ideas.

Our highly qualified and experienced team and associated partners can follow different project typologies, support you through every phase of the project realization and help you with all the information you may need.

The purpose we have always adhered to is: to go global with high quality!

1

## PLANNING

Our team will help you define your project's specific requirements and provide the best solution for your needs.

2

## PRODUCT SELECTION

We offer advice regarding luminaire selection and technical specifications.

3

## DELIVERY

We stand for timely delivery. Our operations team will ensure that your order is accurately processed for production and delivered on time.





# SPOT LIGHT

## INFORMATION

UR LIGHTING

Material: Aluminum + Plastic

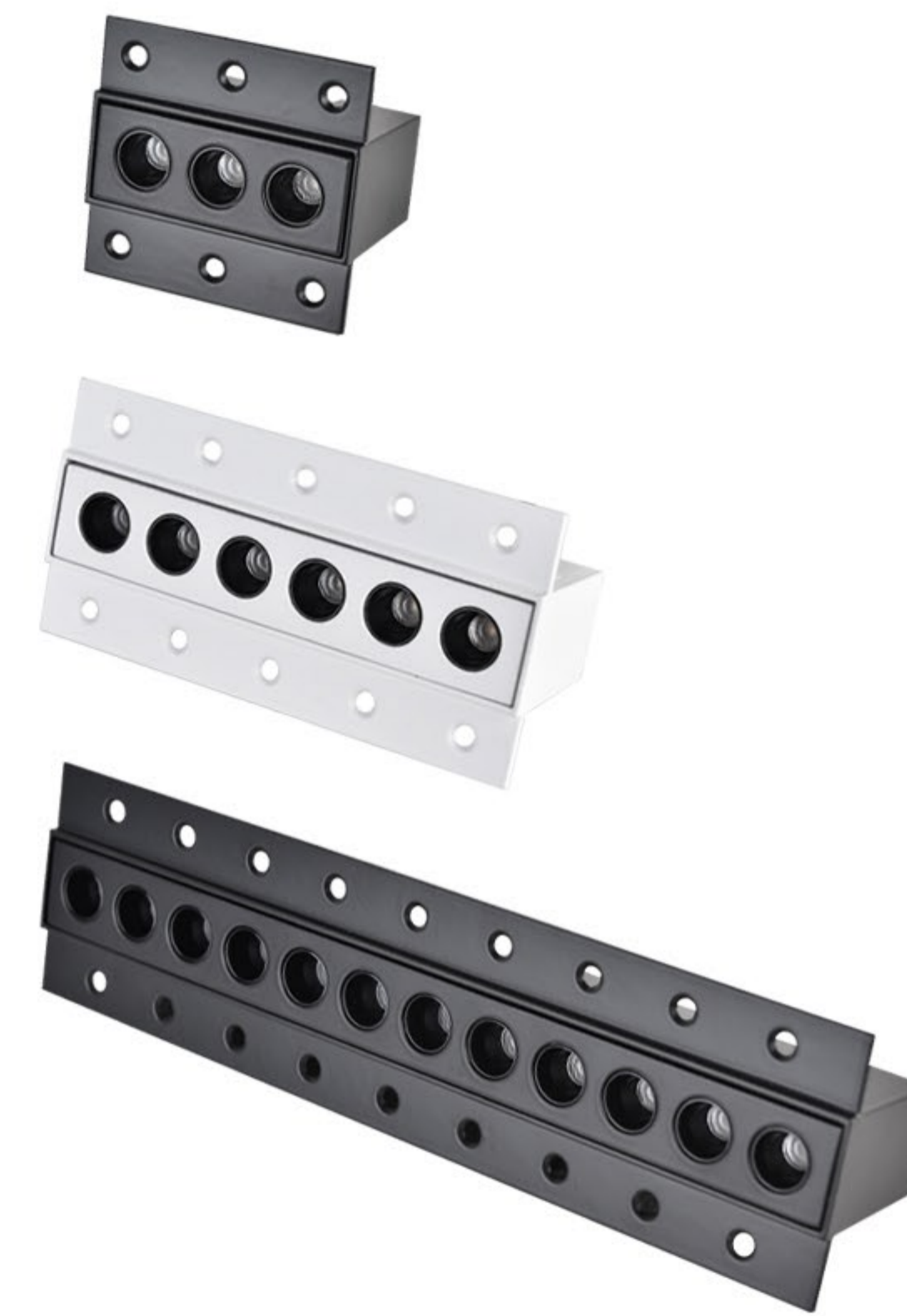
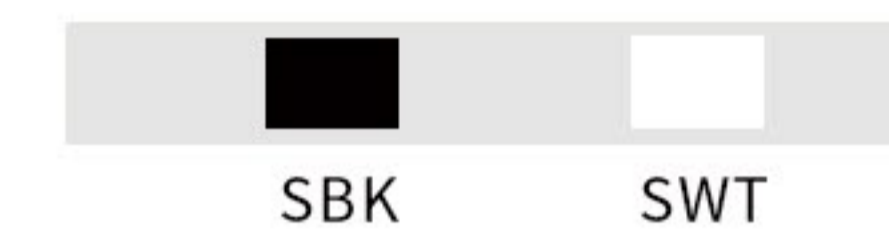
LED Type: SMD3030

Protection Class: IP20

CCT: 3000-6500K

CRI: 92.8

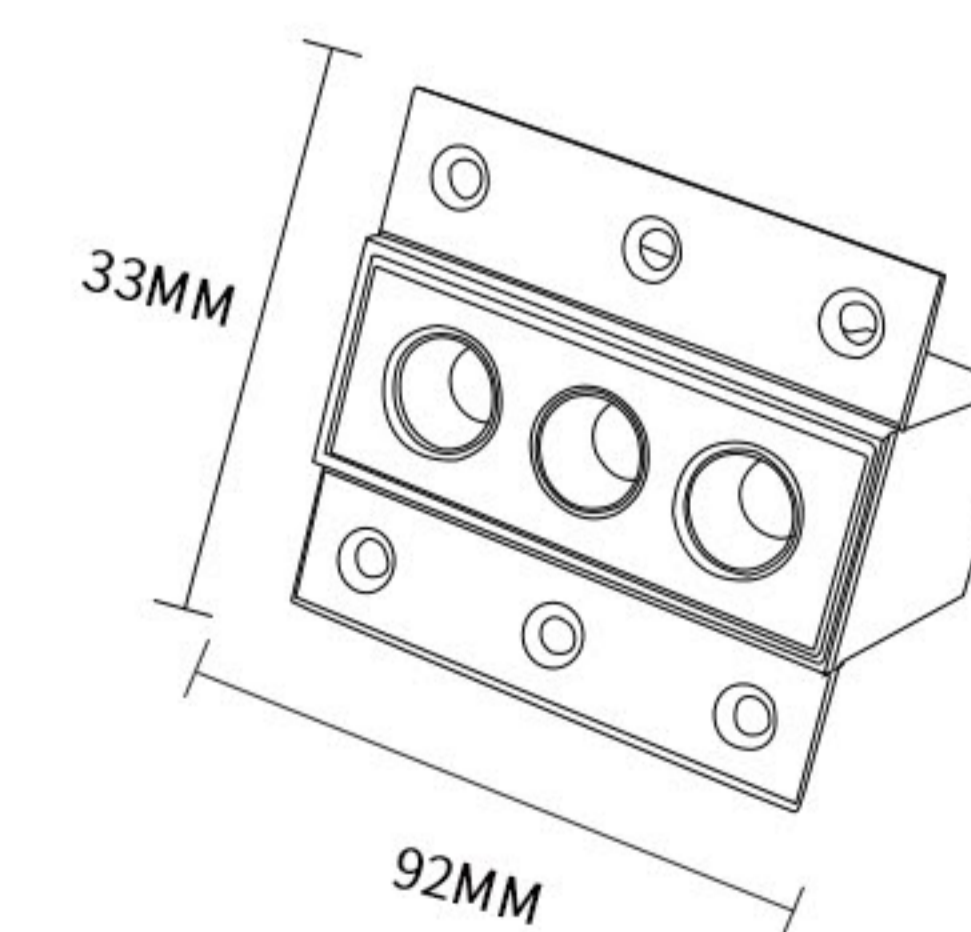
## COLOR



MODEL	SIZE	WARRANTY	INSTALLATION	CUT OUT
G047-3	92*66*84MM	TWO YEARS	EMBEDDED	71*29MM
G047-6	130*55*84MM	TWO YEARS	EMBEDDED	130*29MM
G047-12	250*66*84MM	TWO YEARS	EMBEDDED	250*29MM



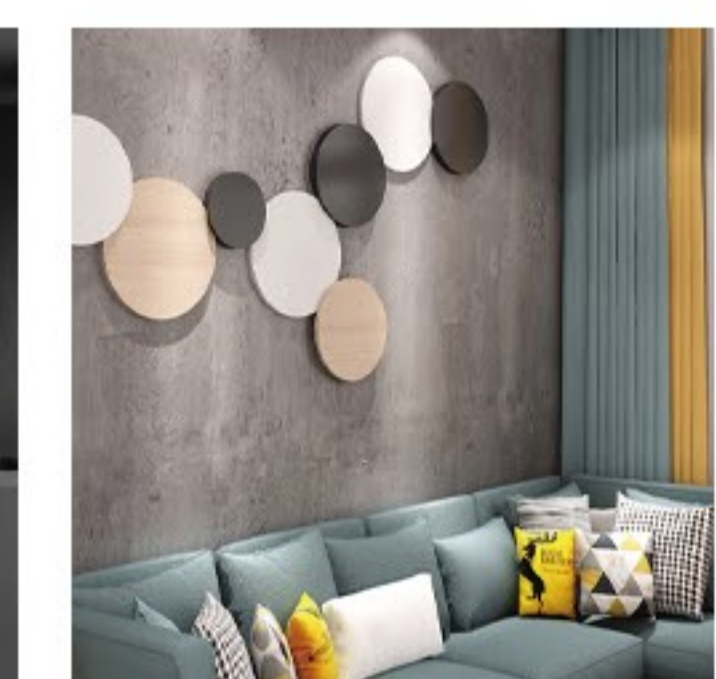
## PRODUCT DIMENSION DRAWING



## APPLICATION



COMMERCIAL



HOME DECORATION



EXHIBITION HALL



# SPOT LIGHT

## INFORMATION

UR LIGHTING

Material: Aluminum + Plastic

LED Type: SMD3030

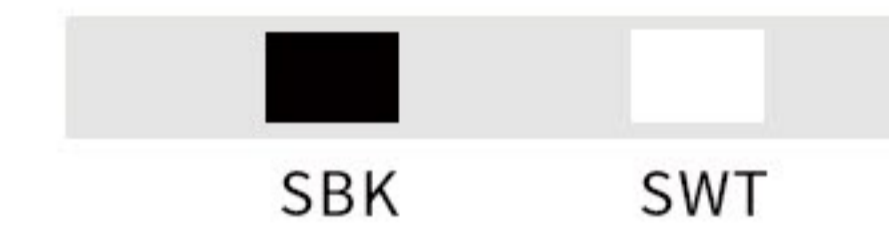
Protection Class: IP20

CCT: 3000-6500K

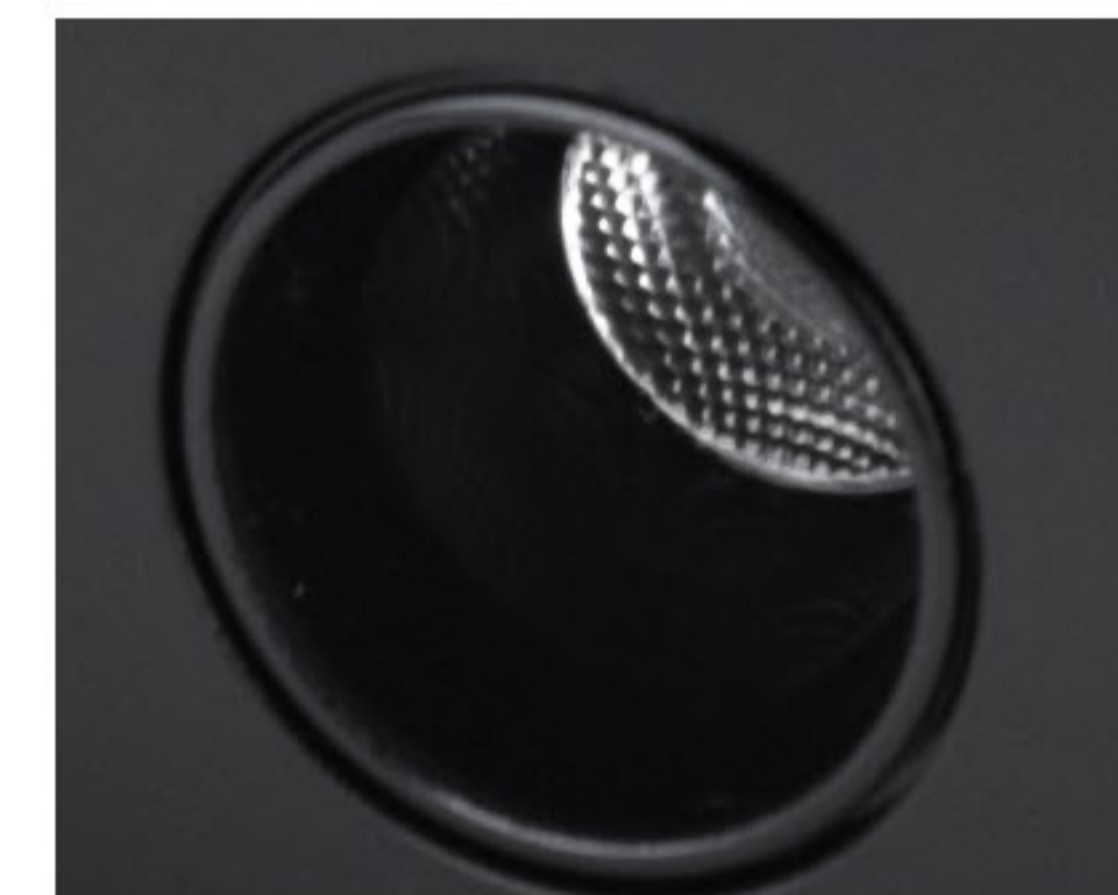
CRI: 92.5



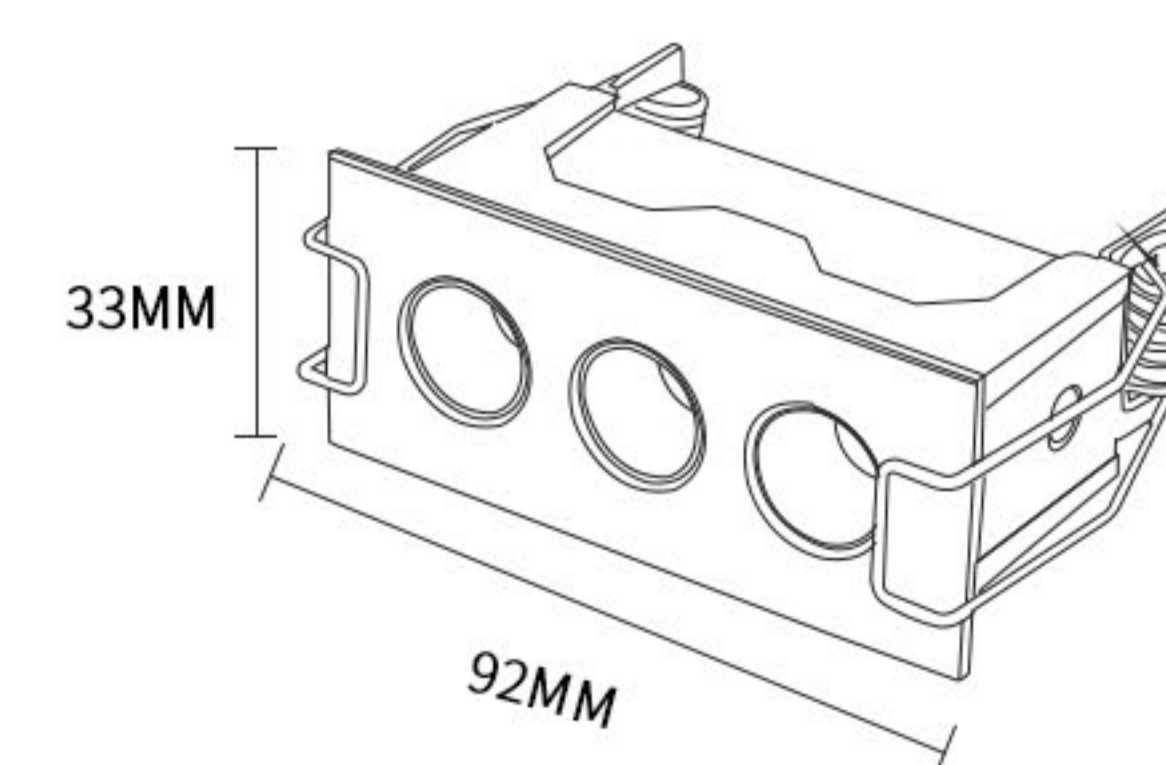
## COLOR



MODEL	SIZE	WARRANTY	INSTALLATION	CUT OUT
G048-3	92*33*92MM	TWO YEARS	EMBEDDED	65*25MM
G048-6	135*33*92MM	TWO YEARS	EMBEDDED	132*25MM
G048-12	253*33*92MM	TWO YEARS	EMBEDDED	246*25MM



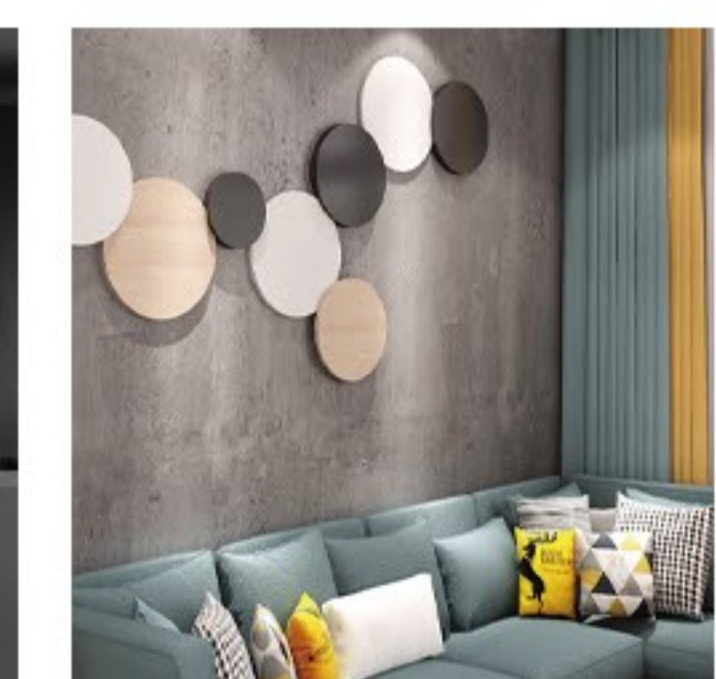
## PRODUCT DIMENSION DRAWING



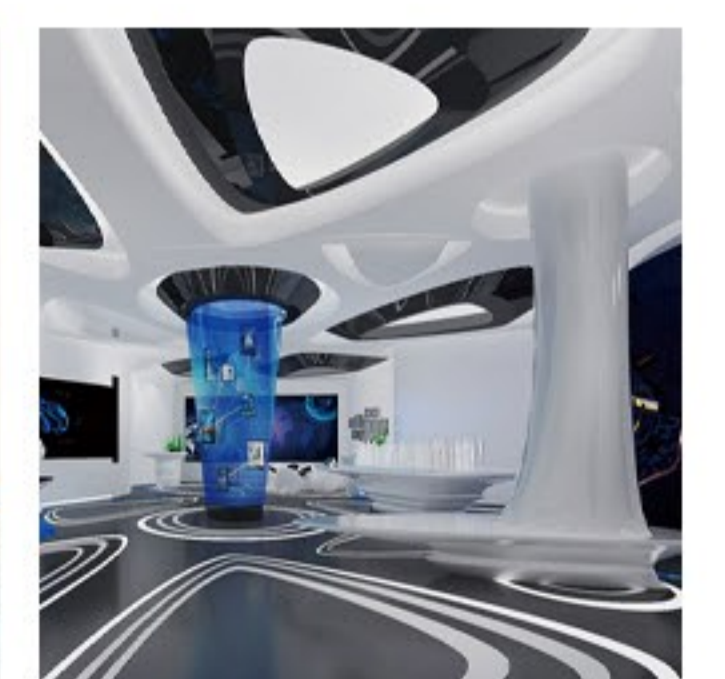
## APPLICATION



COMMERCIAL



HOME DECORATION



EXHIBITION HALL



# SPOT LIGHT

## INFORMATION

UR LIGHTING

Material: Aluminum + Plastic

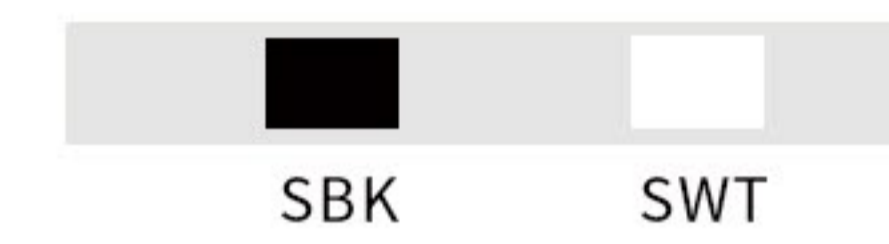
LED Type: SMD3030

Protection Class: IP20

CCT: 3000-6500K

CRI: 92.5

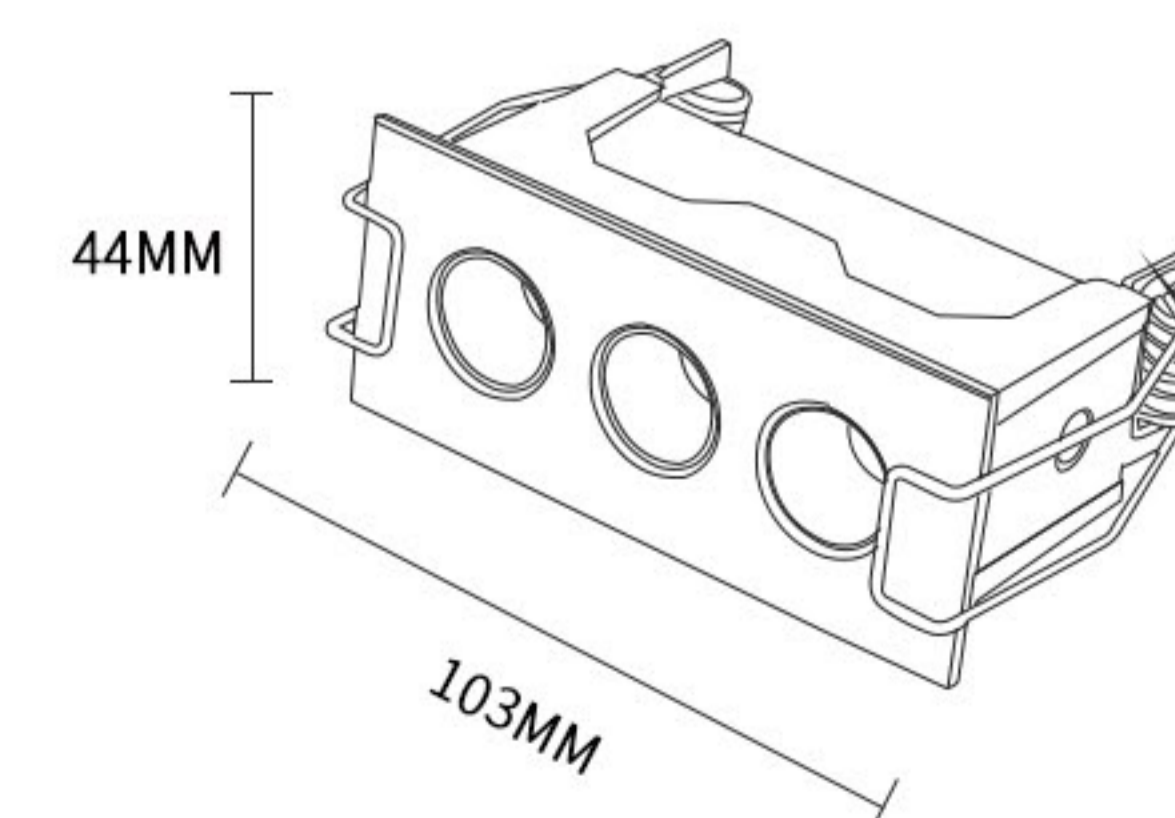
## COLOR



MODEL	SIZE	WARRANTY	INSTALLATION	CUT OUT
G049-3	103*44*81MM	TWO YEARS	EMBEDDED	86*36MM
G049-6	162*44*81MM	TWO YEARS	EMBEDDED	146*36MM
G049-12	280*44*81MM	TWO YEARS	EMBEDDED	265*36MM



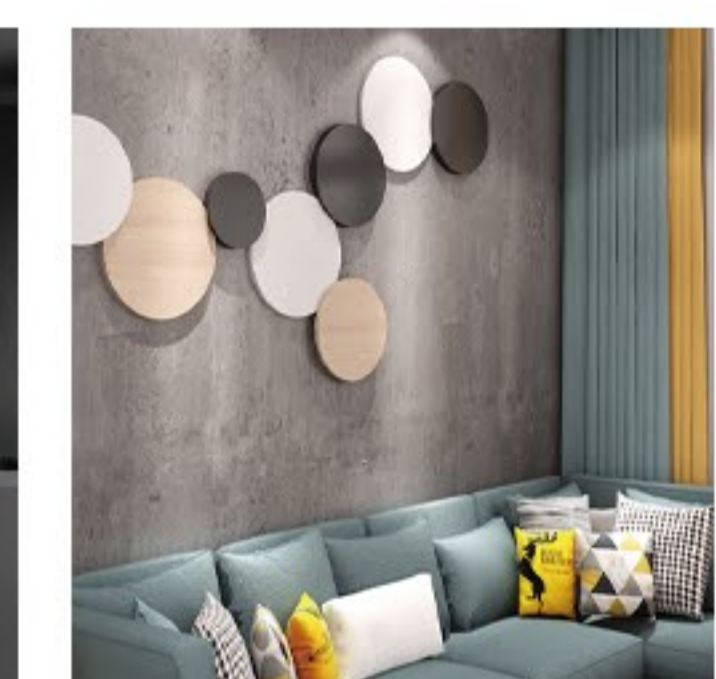
## PRODUCT DIMENSION DRAWING



## APPLICATION



COMMERCIAL



HOME DECORATION



EXHIBITION HALL

# SPOT LIGHT

## INFORMATION

UR LIGHTING

Material: Aluminum + Iron + Plastic

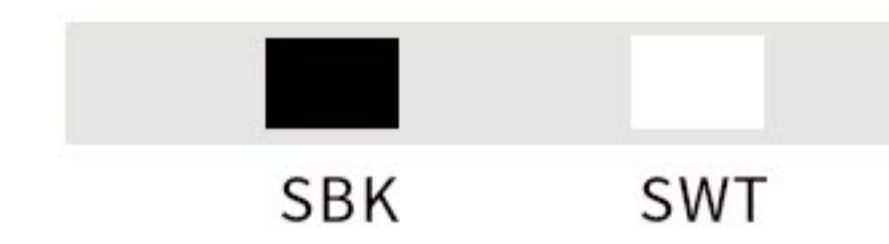
LED Type: SMD3030

Protection Class: IP20

CCT: 3000-6500K

CRI: 92.8

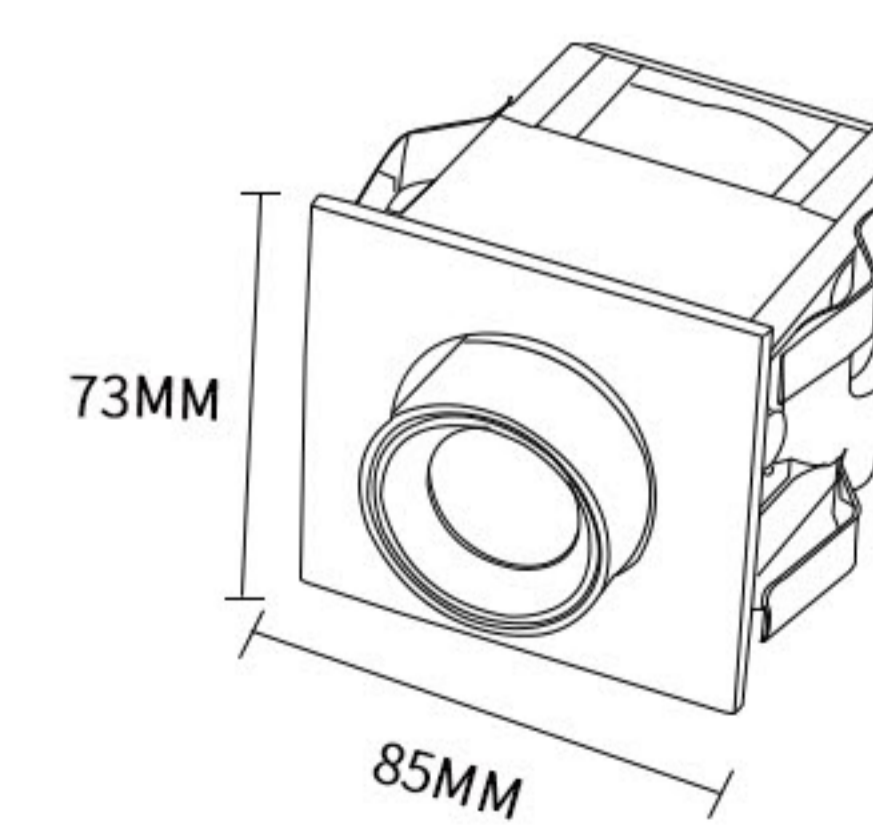
## COLOR



MODEL	SIZE	WARRANTY	INSTALLATION	CUT OUT
G050-1	85*43*73MM	TWO YEARS	EMBEDDED	38.5*32MM
G050-2	85*43*75MM	TWO YEARS	EMBEDDED	69*32MM
G050-3	103*40*75MM	TWO YEARS	EMBEDDED	96*32MM
G050-5	163*40*75MM	TWO YEARS	EMBEDDED	155*32MM



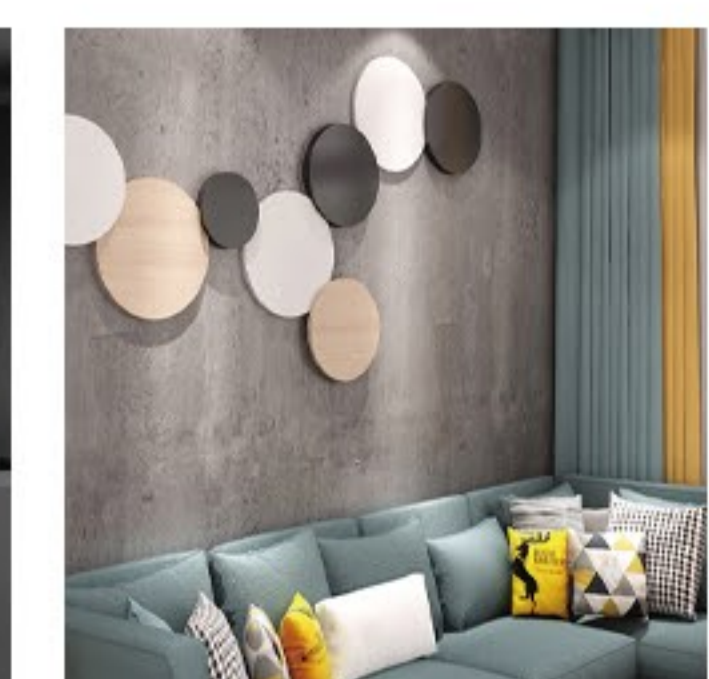
## PRODUCT DIMENSION DRAWING



## APPLICATION



COMMERCIAL



HOME DECORATION



EXHIBITION HALL





# SPOT LIGHT

## INFORMATION

UR LIGHTING

Material: Aluminum + Iron + Plastic

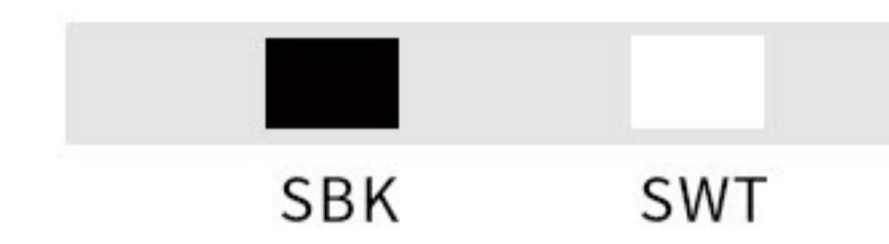
LED Type: SMD3030

Protection Class: IP20

CCT: 3000-6500K

CRI: 92.5

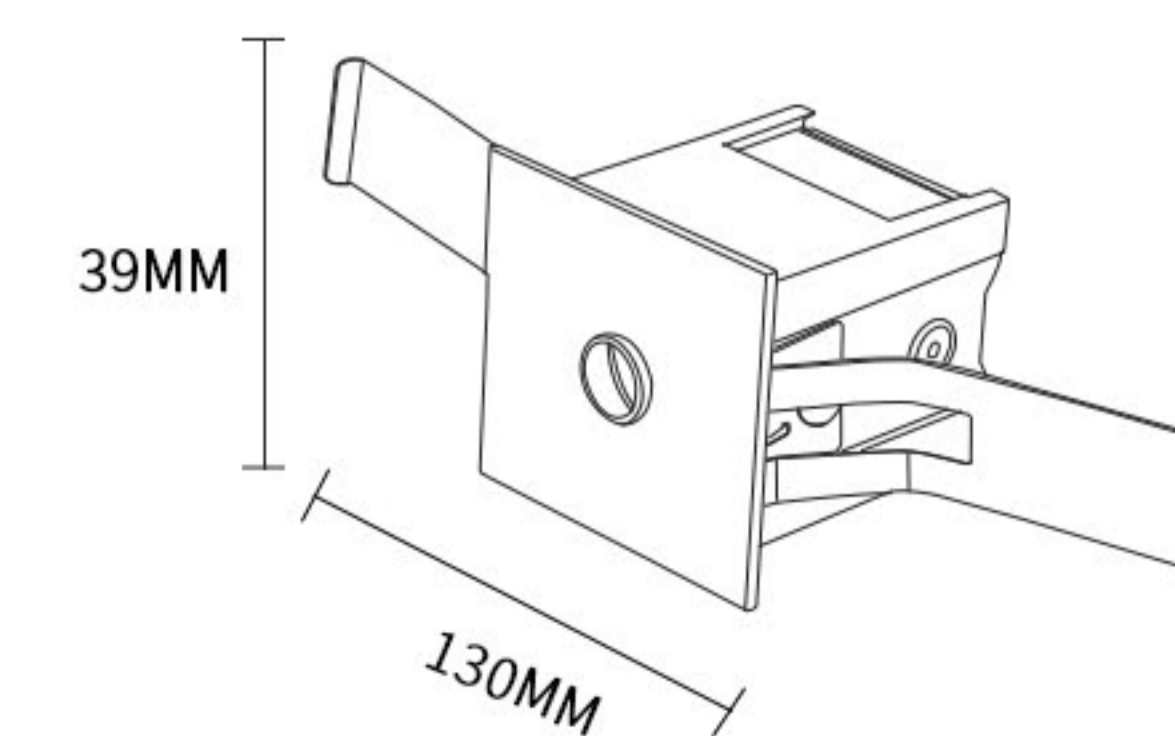
## COLOR



MODEL	SIZE	WARRANTY	INSTALLATION	CUT OUT
G051-1	130*39*61MM	TWO YEARS	EMBEDDED	38*34MM
G051-2	140*40*60MM	TWO YEARS	EMBEDDED	68*34MM
G051-5	245*40*60MM	TWO YEARS	EMBEDDED	157*34MM
G051-10	385*40*60MM	TWO YEARS	EMBEDDED	307*34MM



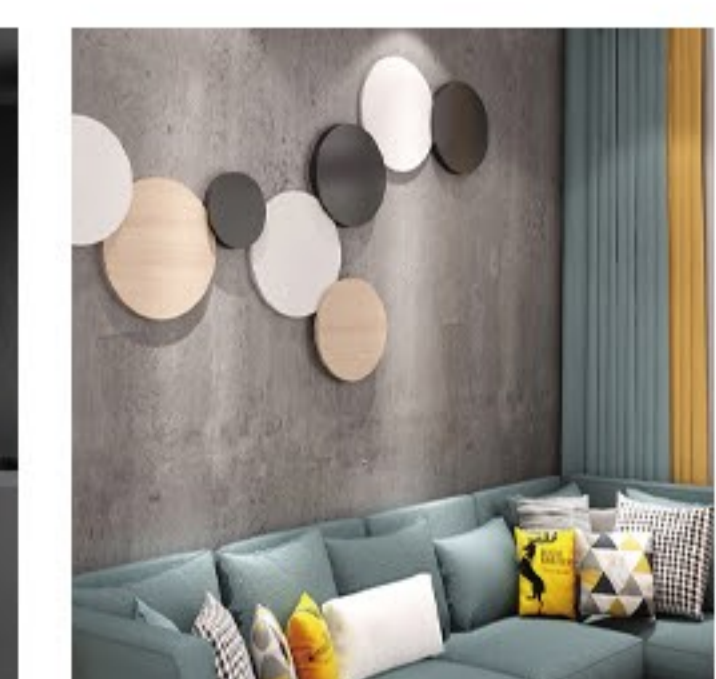
## PRODUCT DIMENSION DRAWING



## APPLICATION



COMMERCIAL



HOME DECORATION



EXHIBITION HALL



# SPOT LIGHT

## INFORMATION

UR LIGHTING

Material: Aluminum + Plastic

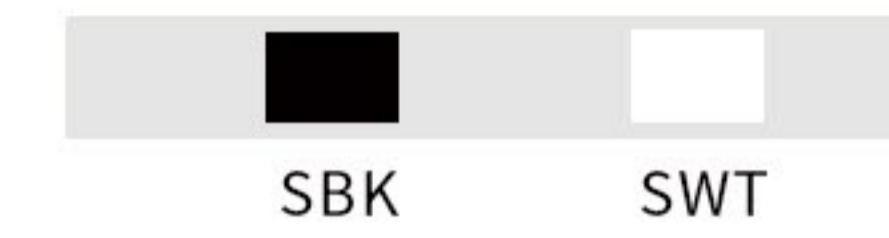
LED Type: SMD3030

Protection Class: IP20

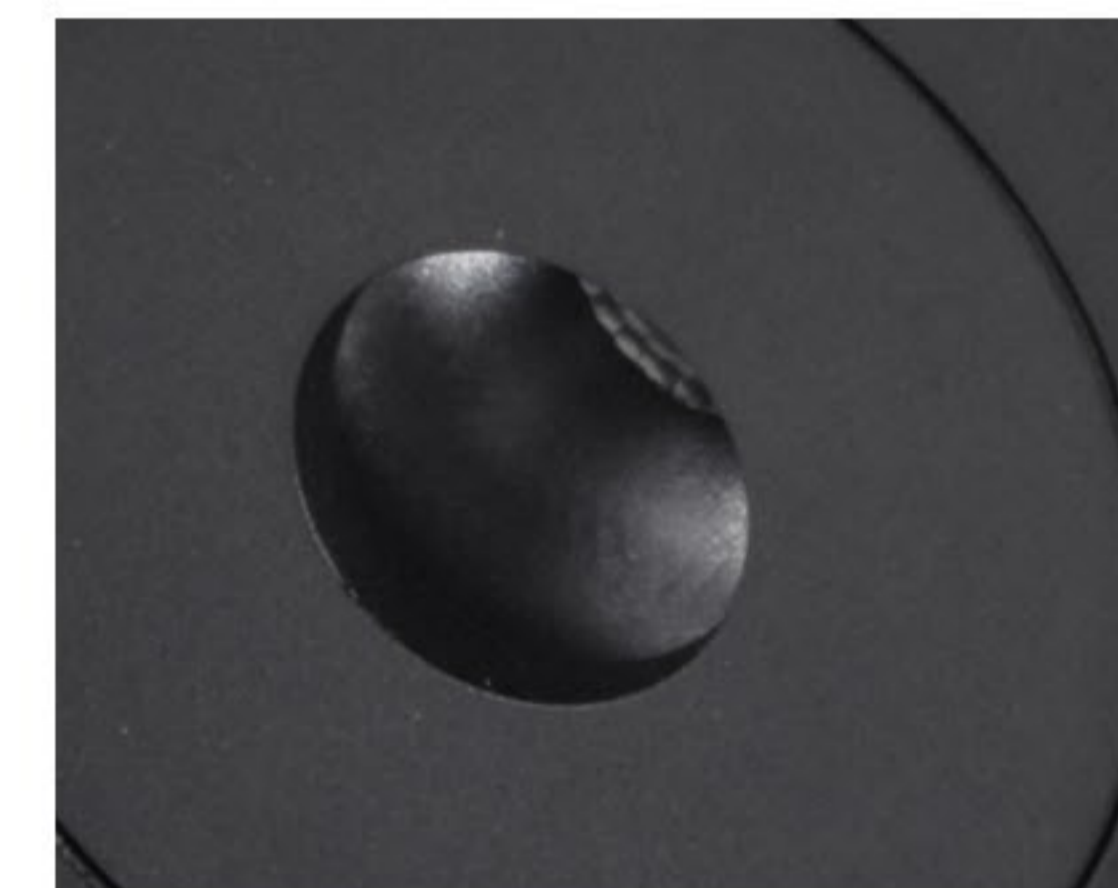
CCT: 3000-6500K

CRI: 92.8

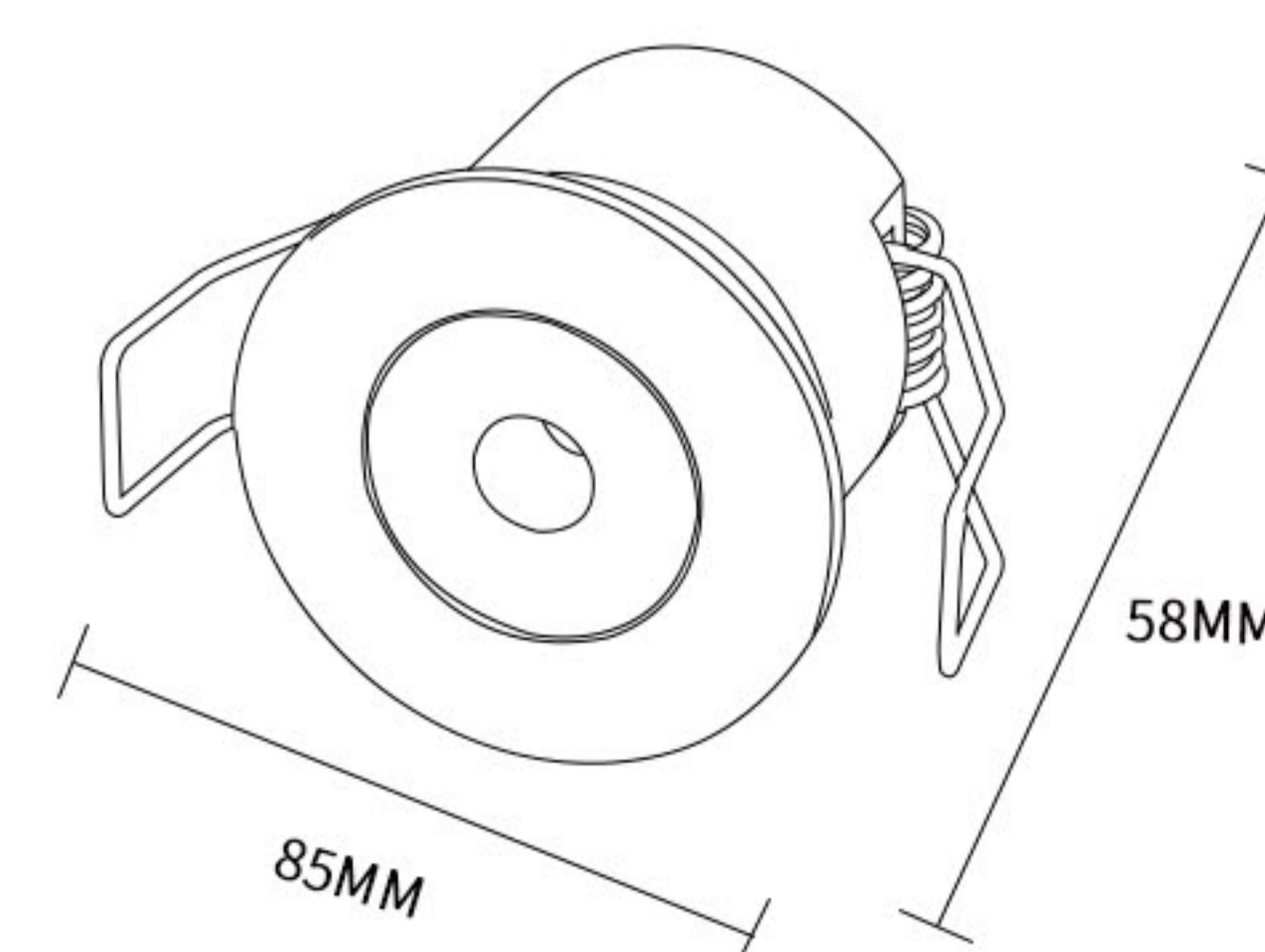
## COLOR



MODEL	SIZE	WARRANTY	INSTALLATION	CUT OUT
G052-1	85*40*58MM	TWO YEARS	EMBEDDED	36MM
G052-3	85*62*60MM	TWO YEARS	EMBEDDED	56MM
G052-7	92*83*62MM	TWO YEARS	EMBEDDED	75MM



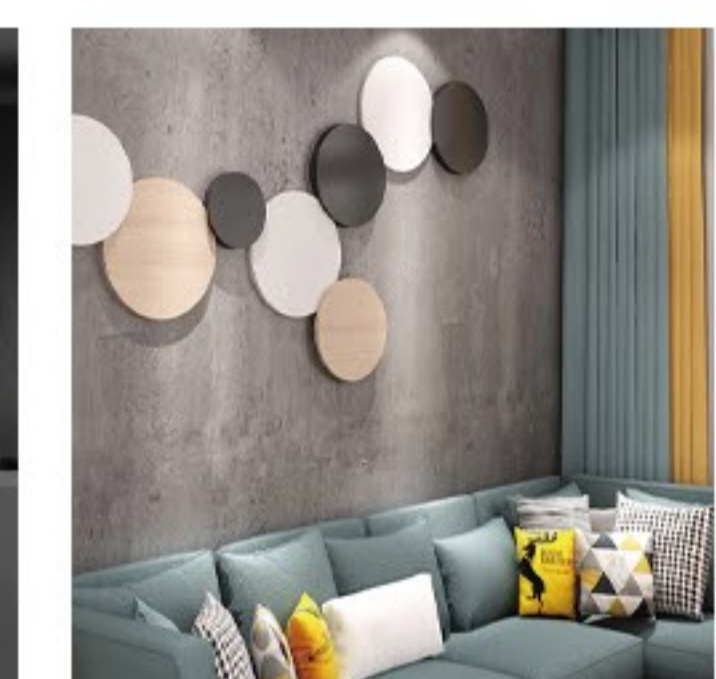
## PRODUCT DIMENSION DRAWING



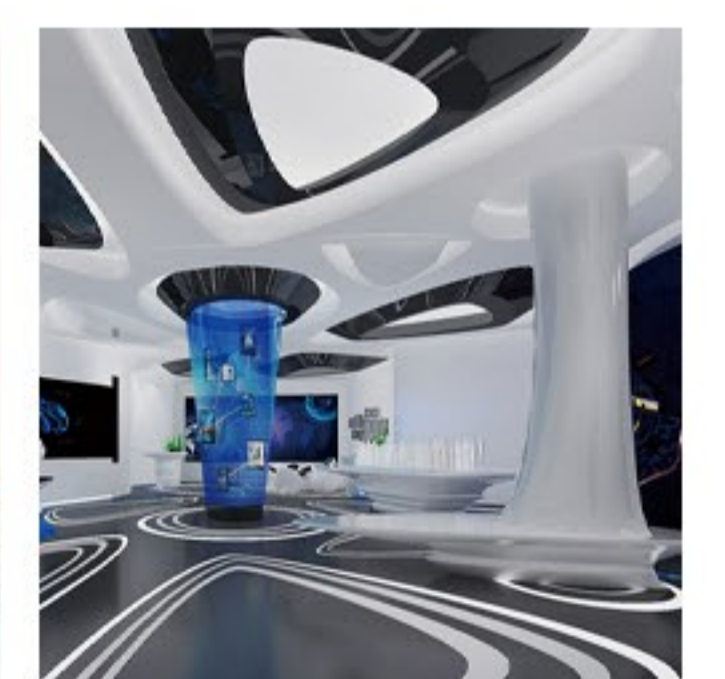
## APPLICATION



COMMERCIAL



HOME DECORATION



EXHIBITION HALL

# SPOT LIGHT

## INFORMATION

UR LIGHTING

Material: Aluminum + Plastic

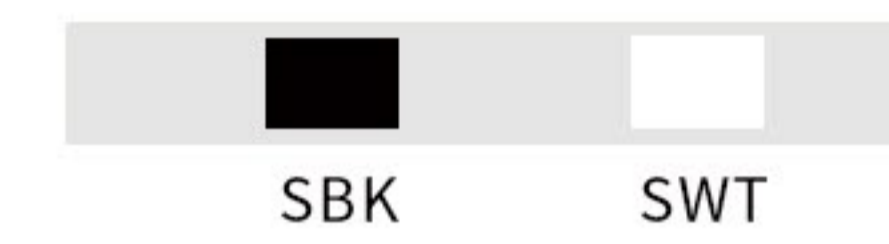
LED Type: SMD3030

Protection Class: IP20

CCT: 3000-6500K

CRI: 92.8

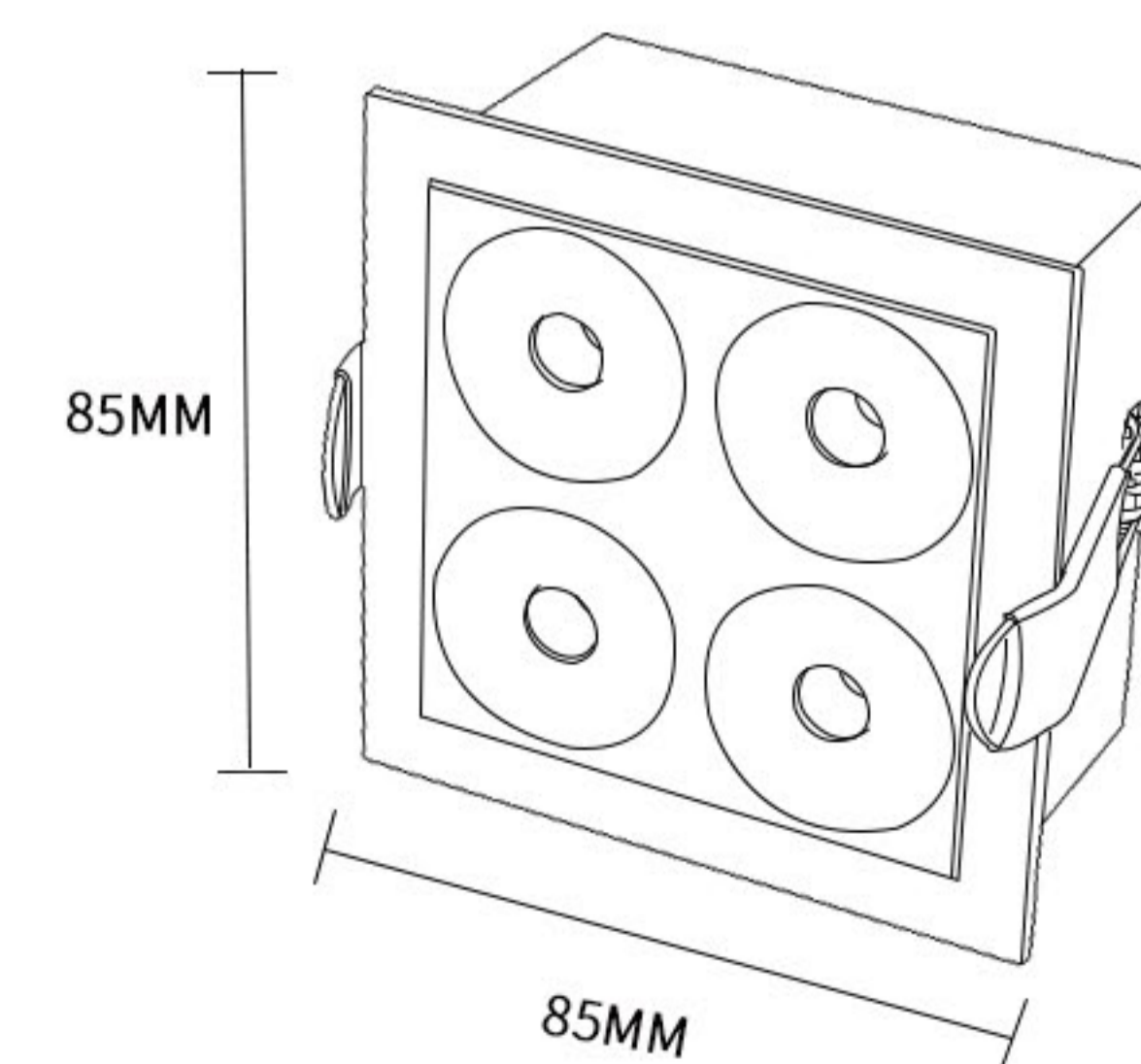
## COLOR



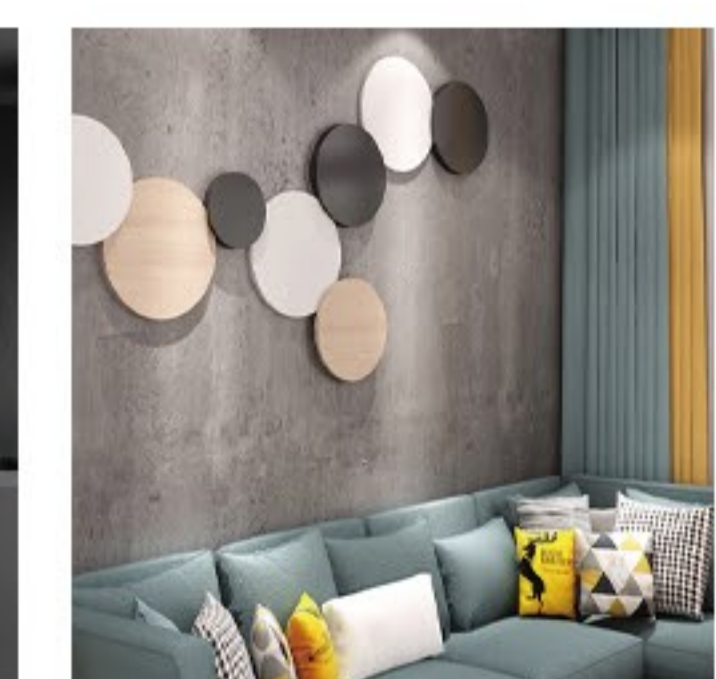
MODEL	SIZE	WARRANTY	INSTALLATION	CUT OUT
G053-4	85*85*65MM	TWO YEARS	EMBEDDED	71*71MM
G053-9	106*106*80MM	TWO YEARS	EMBEDDED	101*101MM



## PRODUCT DIMENSION DRAWING



## APPLICATION

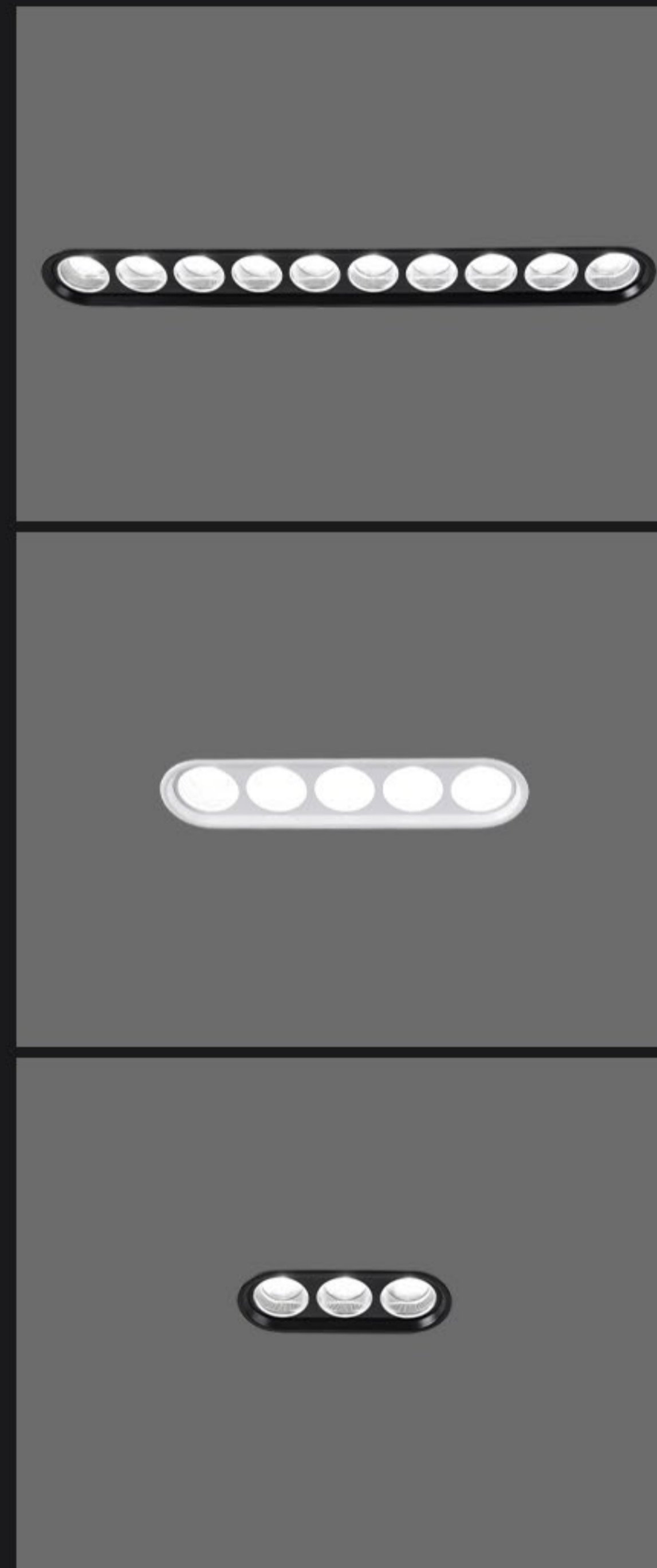


COMMERCIAL

HOME DECORATION

EXHIBITION HALL

A variety of styles and colors for you to choose from.



# SPOT LIGHT

## INFORMATION

UR LIGHTING

Material: Aluminum + Iron + Plastic

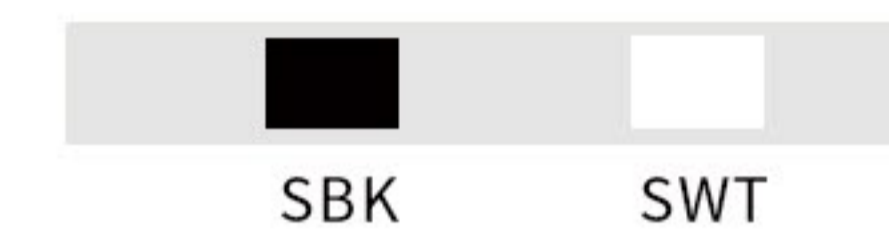
LED Type: SMD3030

Protection Class: IP20

CCT: 3000-6500K

CRI: 92.5

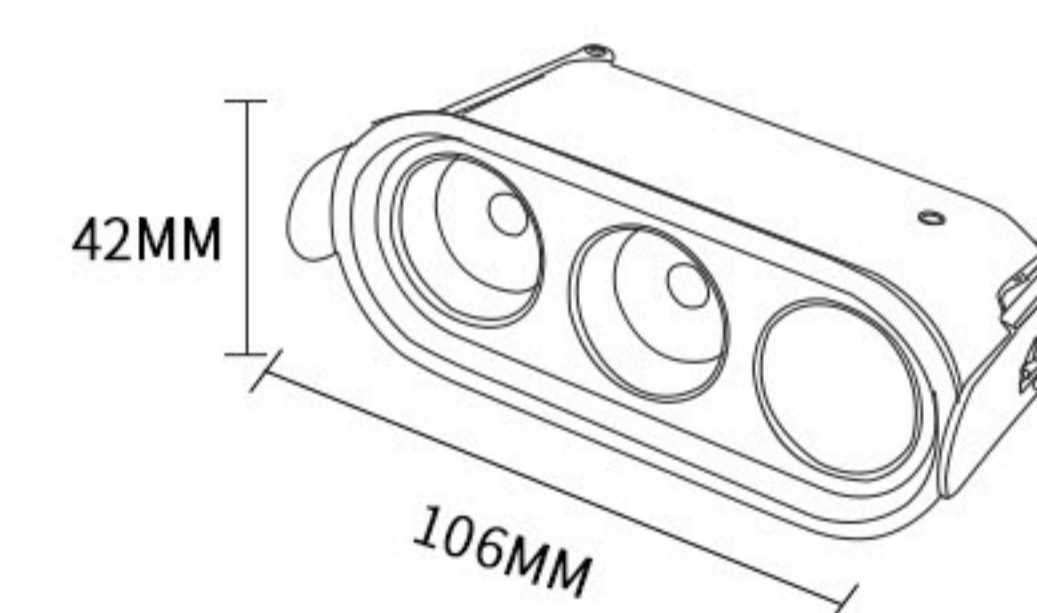
## COLOR



MODEL	SIZE	WARRANTY	INSTALLATION	CUT OUT
G054-3	106*42*80MM	TWO YEARS	EMBEDDED	95*35MM
G054-5	165*42*75MM	TWO YEARS	EMBEDDED	154*35MM
G054-10	315*42*75MM	TWO YEARS	EMBEDDED	305*35MM



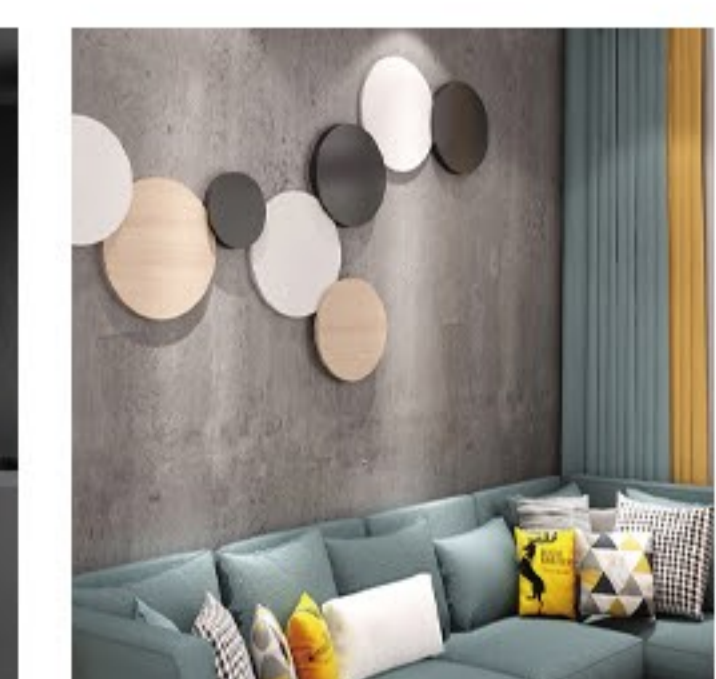
## PRODUCT DIMENSION DRAWING



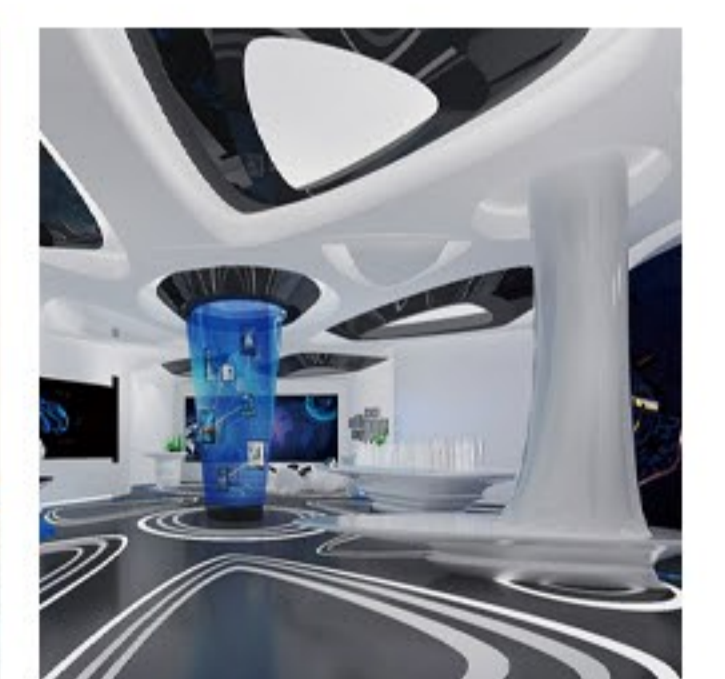
## APPLICATION



COMMERCIAL



HOME DECORATION



EXHIBITION HALL





# SPOT LIGHT

## INFORMATION

UR LIGHTING

Material: Aluminum + Iron+Plastic

LED Type: SMD2835

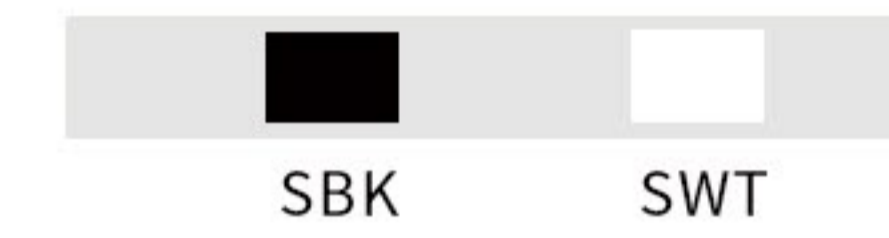
Protection Class: IP20

CCT: 3000-6500K

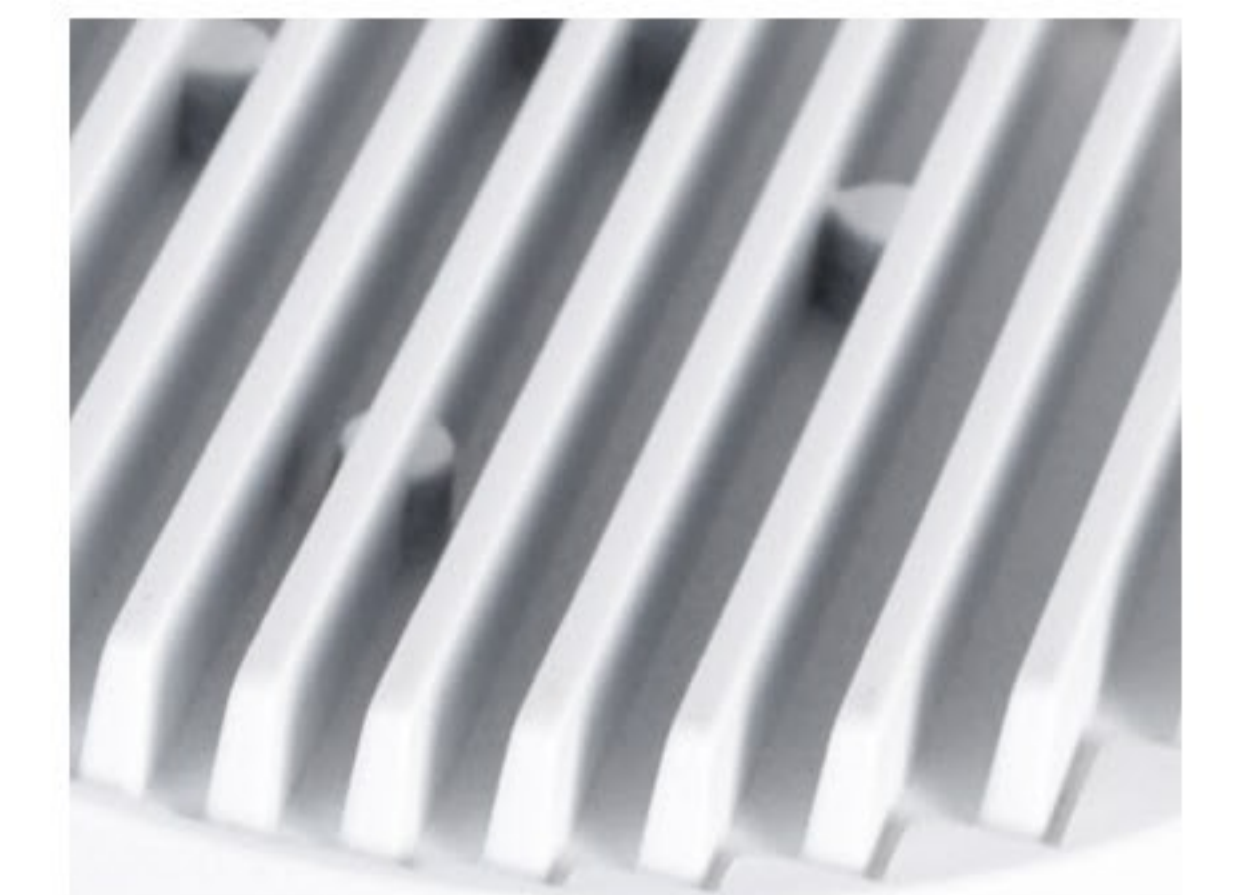
CRI: 92.1



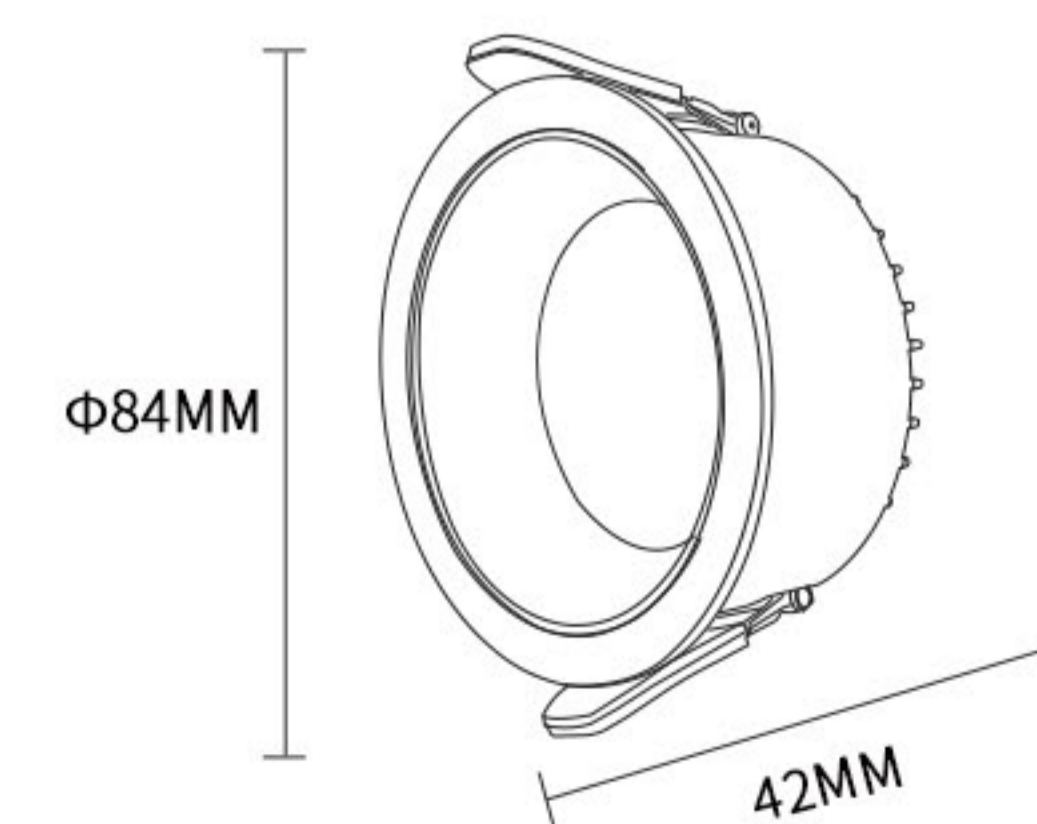
## COLOR



MODEL	SIZE	WARRANTY	INSTALLATION	CUT OUT
G086	φ84*42MM	TWO YEARS	EMBEDDED	75MM
G086	φ105*42MM	TWO YEARS	EMBEDDED	95MM
G086	φ130*46MM	TWO YEARS	EMBEDDED	120MM
G086	φ155*46MM	TWO YEARS	EMBEDDED	140MM



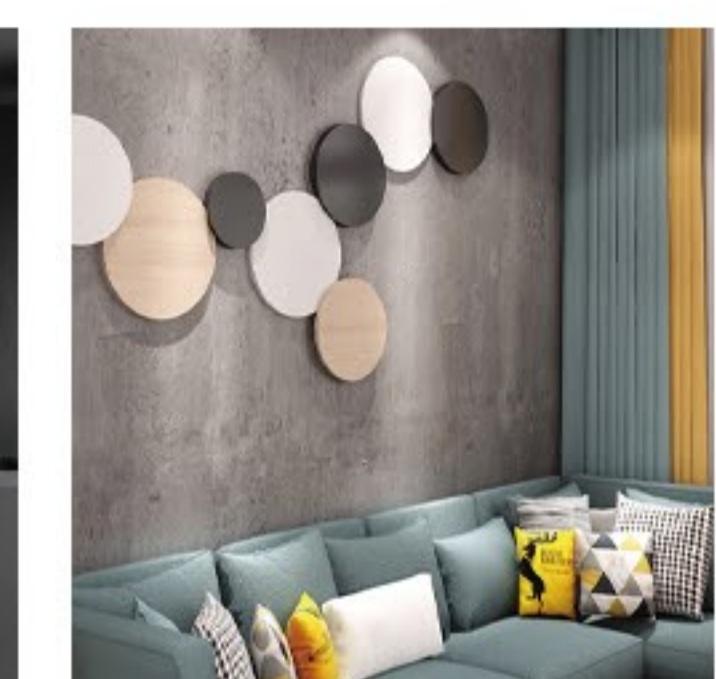
## PRODUCT DIMENSION DRAWING



## APPLICATION



COMMERCIAL



HOME DECORATION



EXHIBITION HALL

# SPOT LIGHT

## INFORMATION

UR LIGHTING

Material: Aluminum + Iron+Plastic

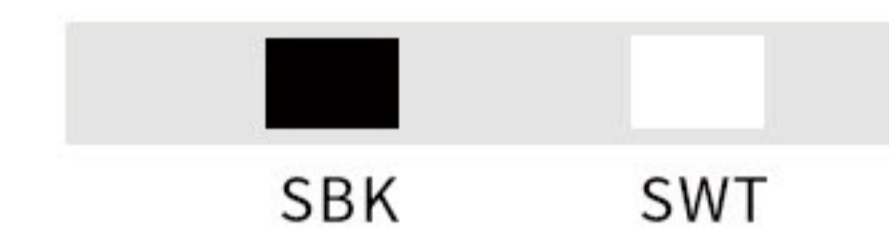
LED Type: SMD2835/COB

Protection Class: IP20

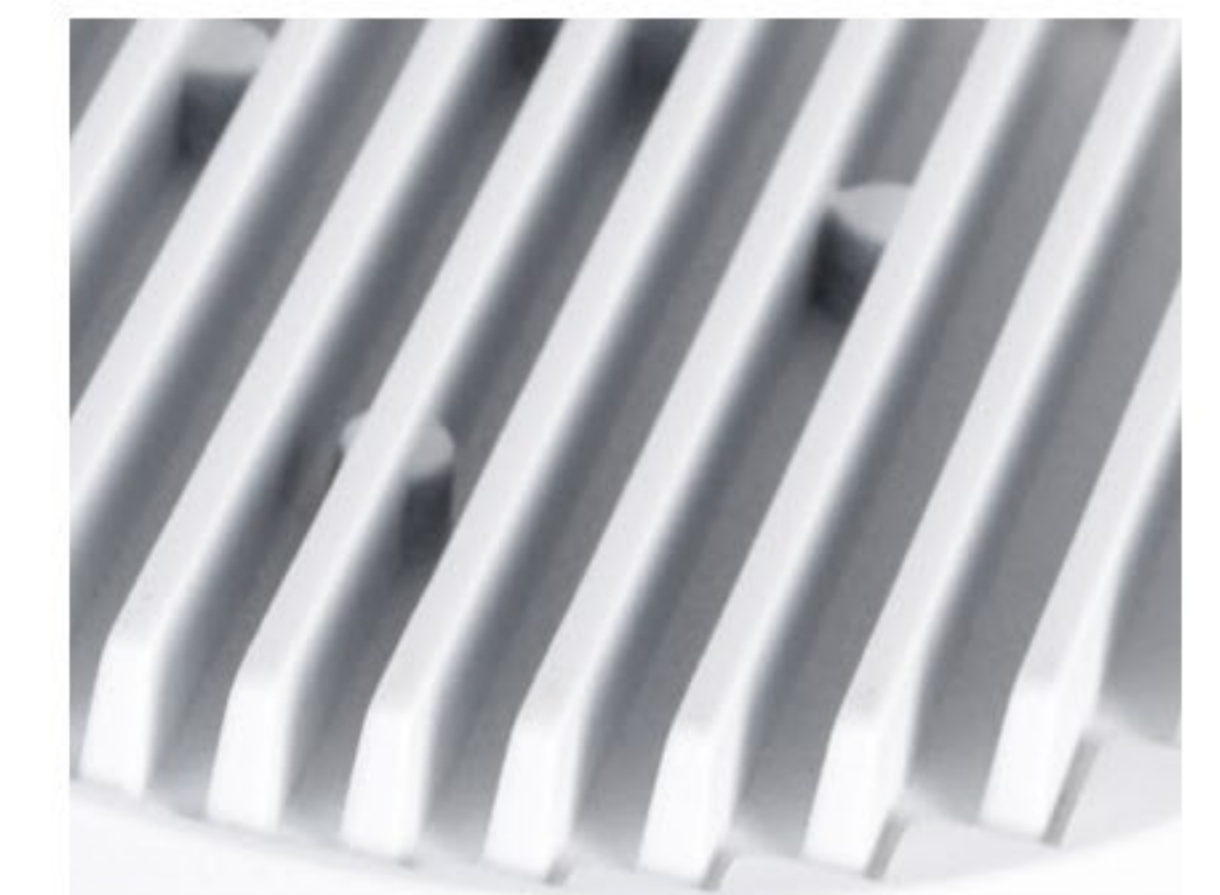
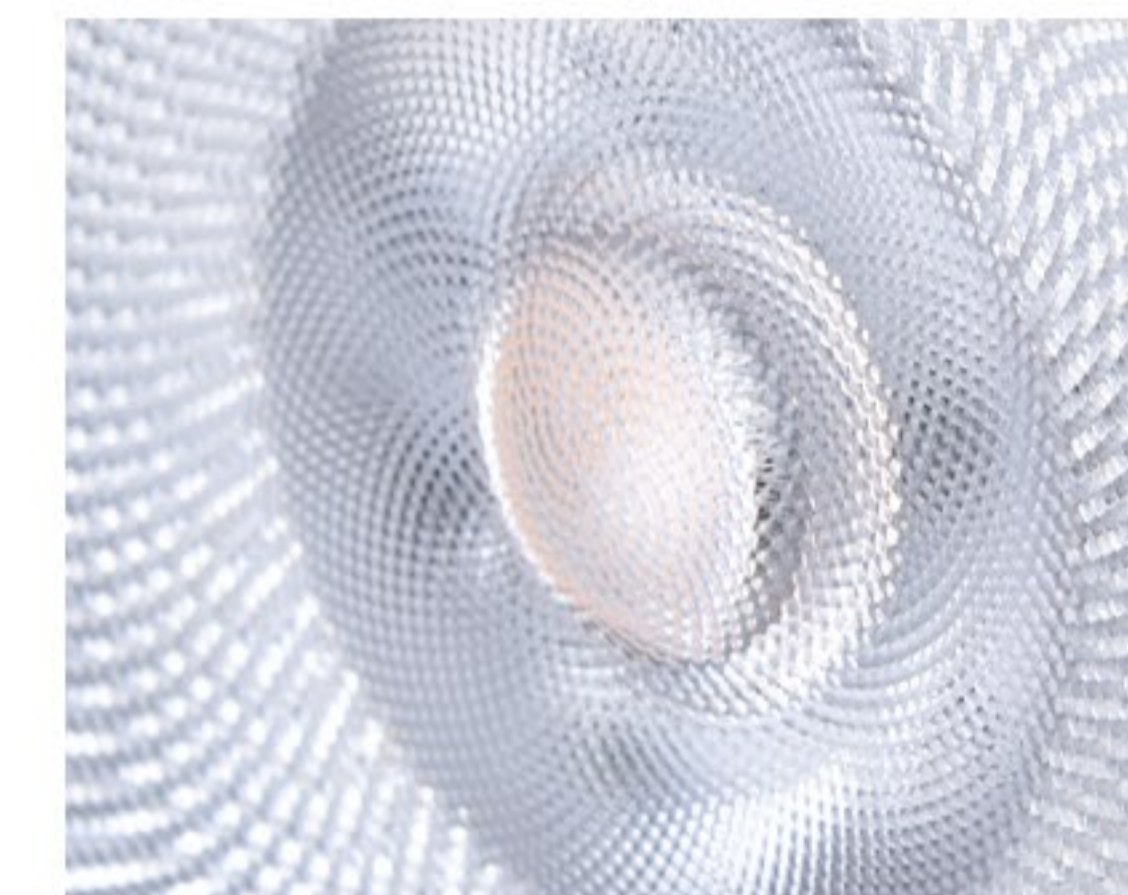
CCT: 3000-6500K

CRI: 92.1

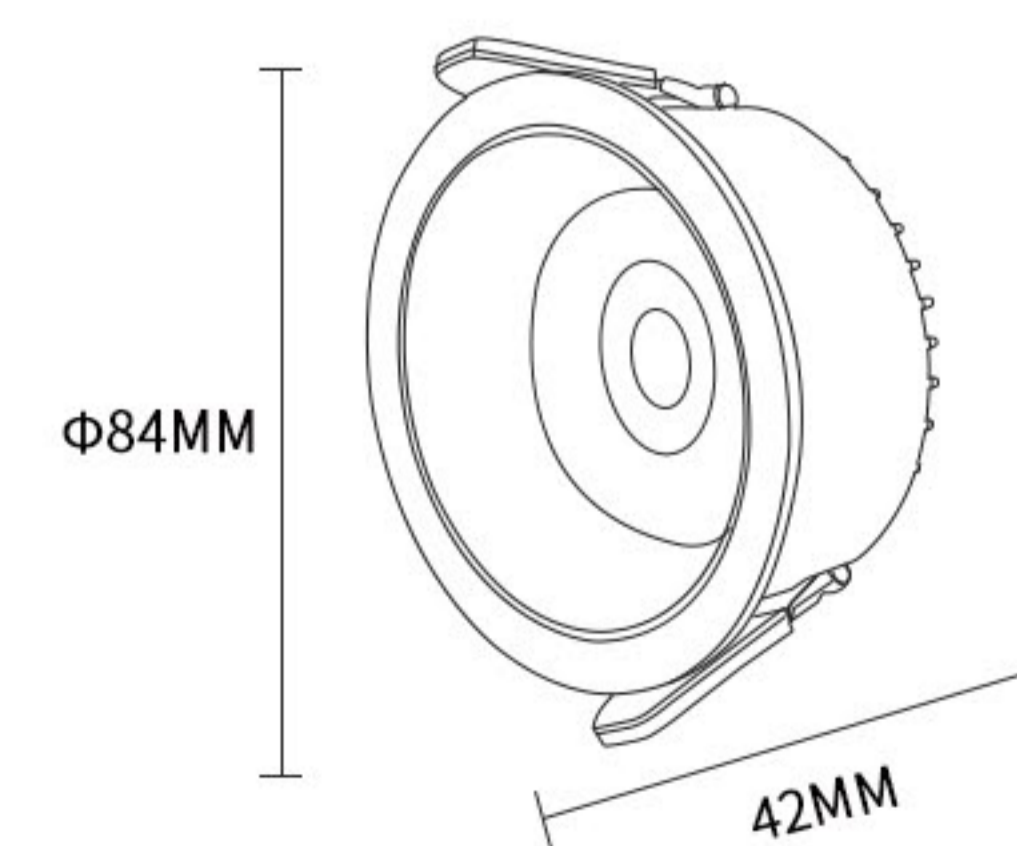
## COLOR



MODEL	SIZE	WARRANTY	INSTALLATION	CUT OUT
G087	φ84*42MM	TWO YEARS	EMBEDDED	75MM
G087	φ105*42MM	TWO YEARS	EMBEDDED	95MM
G087	φ130*46MM	TWO YEARS	EMBEDDED	120MM
G087	φ155*46MM	TWO YEARS	EMBEDDED	140MM



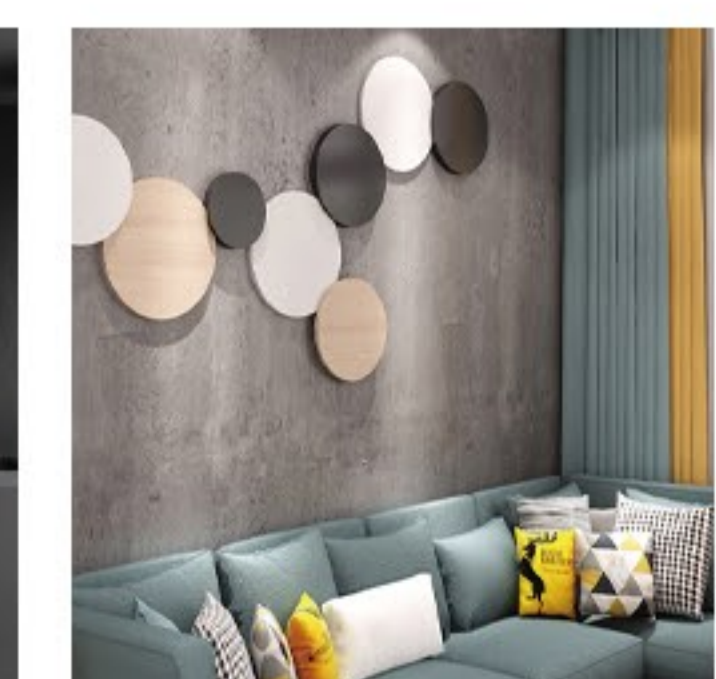
## PRODUCT DIMENSION DRAWING



## APPLICATION



COMMERCIAL



HOME DECORATION



EXHIBITION HALL

## There are three ways of dimming

There are multiple dimming methods, which are suitable for various occasions.



3000K



4000K



6000K





# SPOT LIGHT

## INFORMATION

UR LIGHTING

Material: Aluminum + Iron+Plastic

LED Type: COB

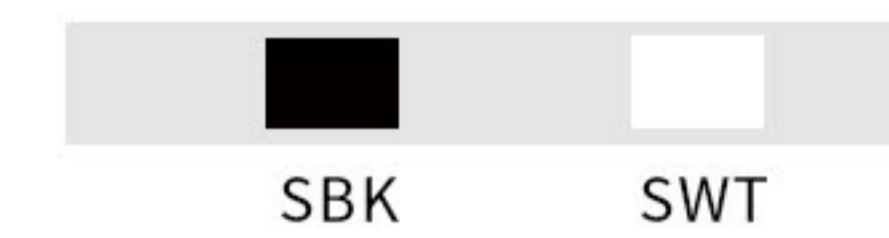
Protection Class: IP20

CCT: 3000-6500K

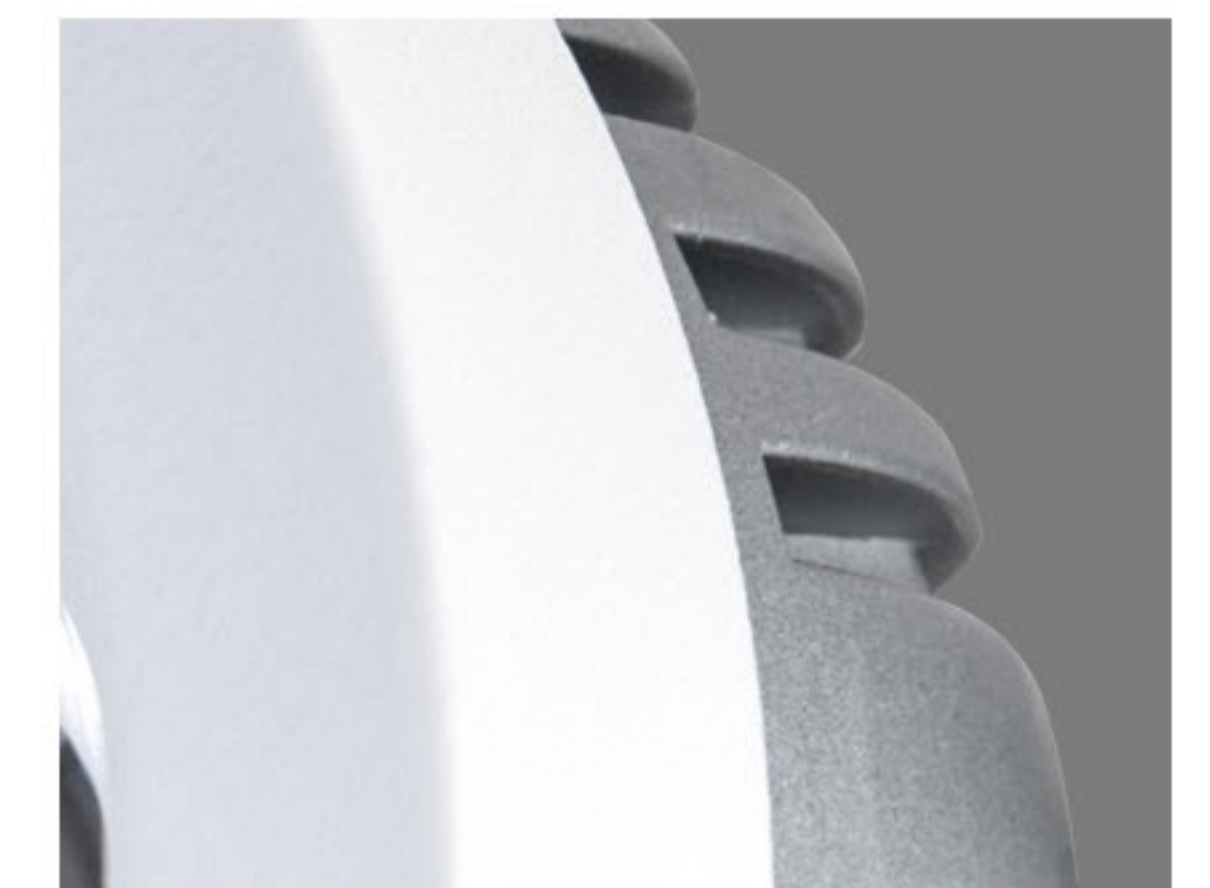
CRI: 92.1



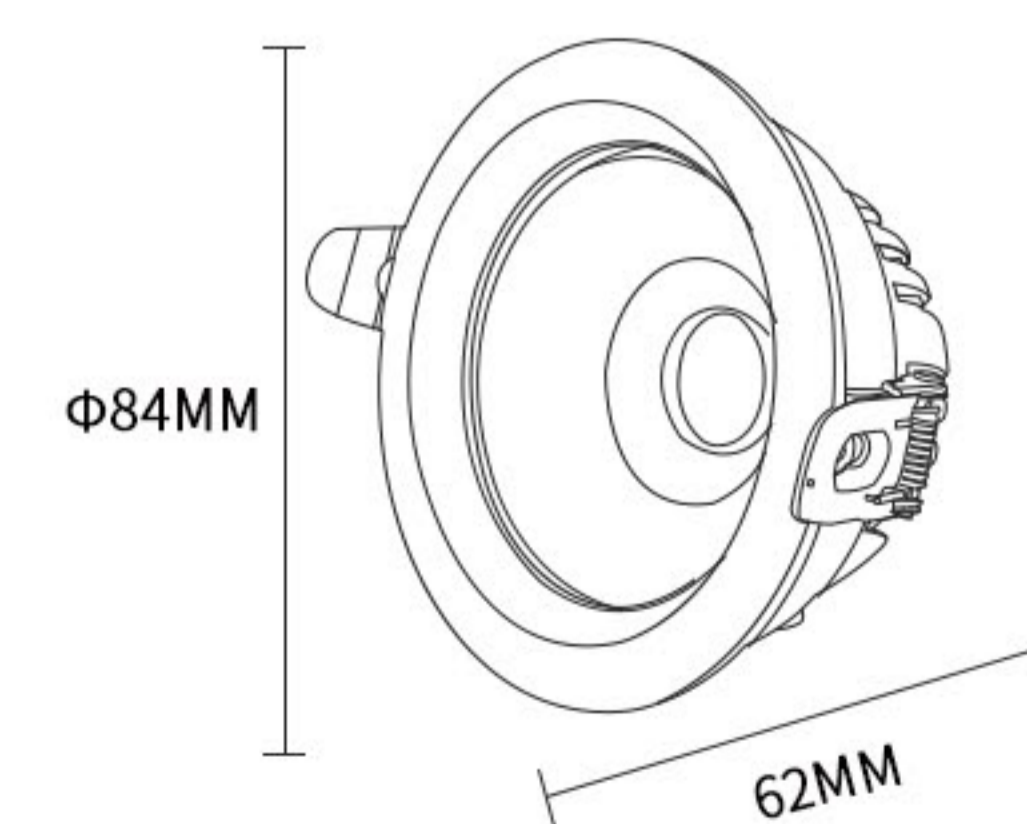
## COLOR



MODEL	SIZE	WARRANTY	INSTALLATION	CUT OUT
G089	φ84*62MM	TWO YEARS	EMBEDDED	75MM



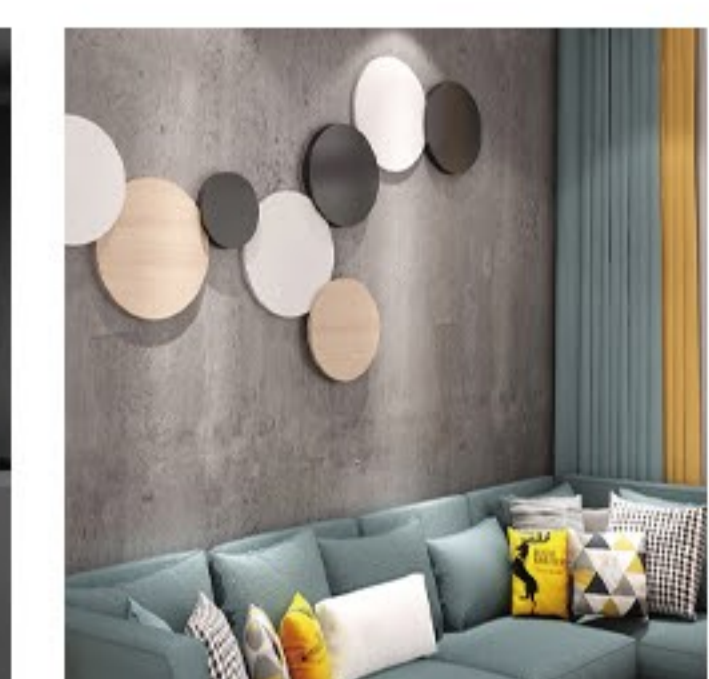
## PRODUCT DIMENSION DRAWING



## APPLICATION



COMMERCIAL



HOME DECORATION



EXHIBITION HALL



# SPOT LIGHT

## INFORMATION

UR LIGHTING

Material: Aluminum + Iron+Plastic

LED Type: COB

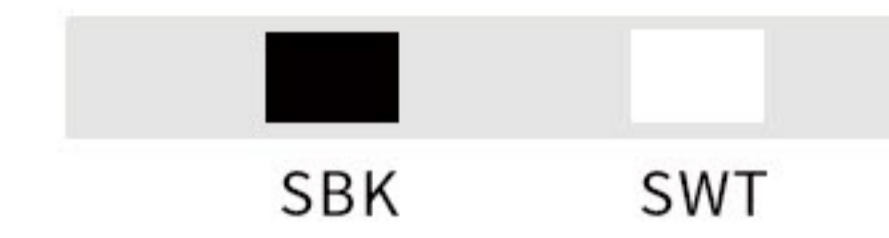
Protection Class: IP20

CCT: 3000-6500K

CRI: 92.1



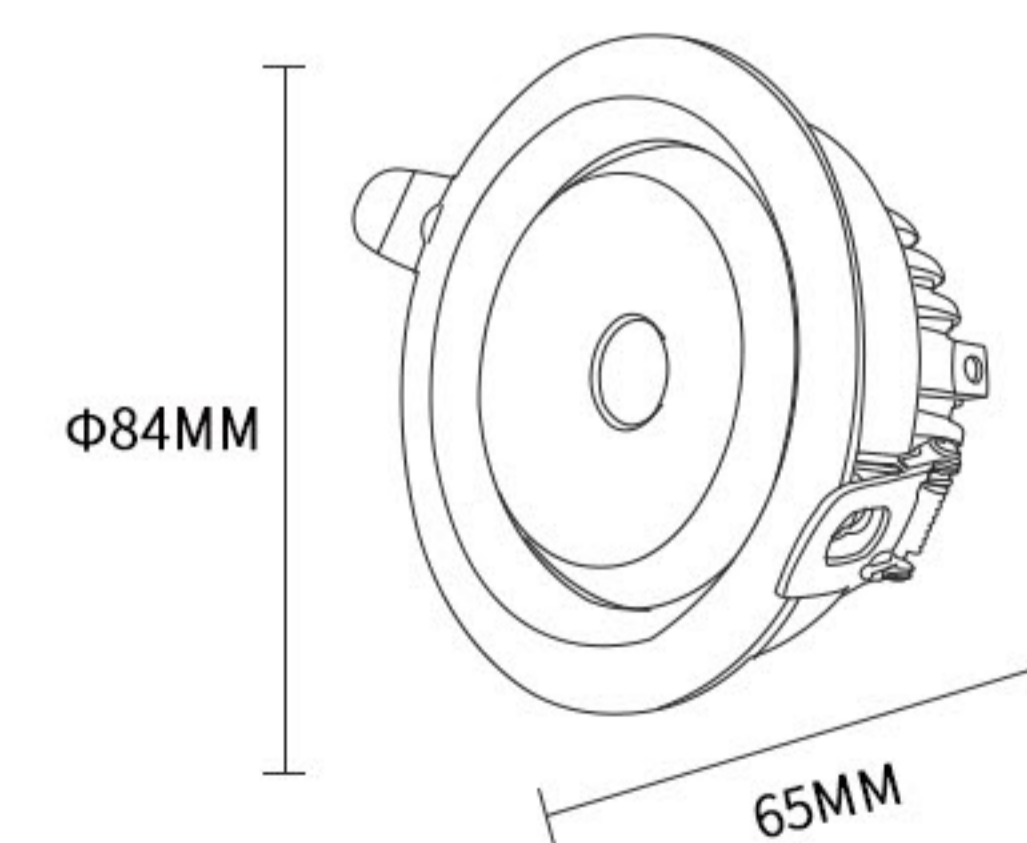
## COLOR



MODEL	SIZE	WARRANTY	INSTALLATION	CUT OUT
G089	φ84*65MM	TWO YEARS	EMBEDDED	75MM



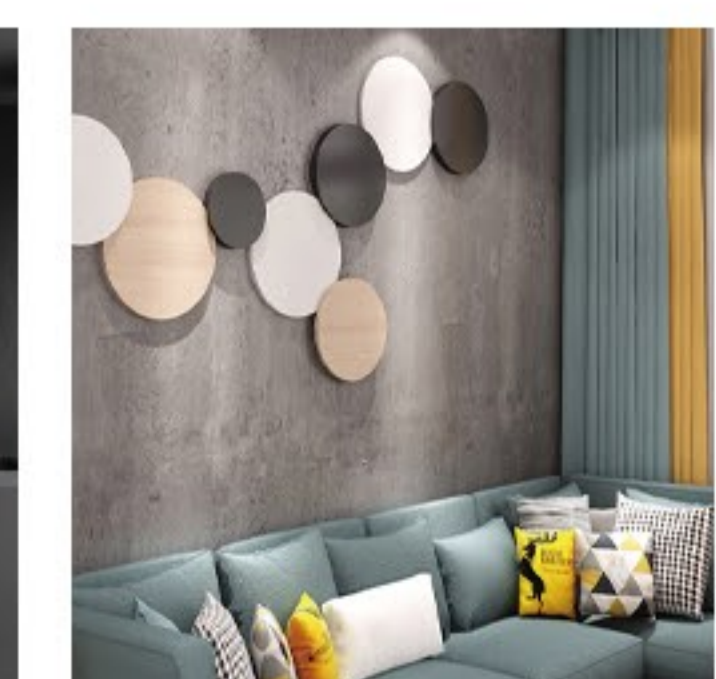
## PRODUCT DIMENSION DRAWING



## APPLICATION



COMMERCIAL



HOME DECORATION



EXHIBITION HALL



# SPOT LIGHT

## INFORMATION

UR LIGHTING

Material: Aluminum + Iron+Plastic

LED Type: COB

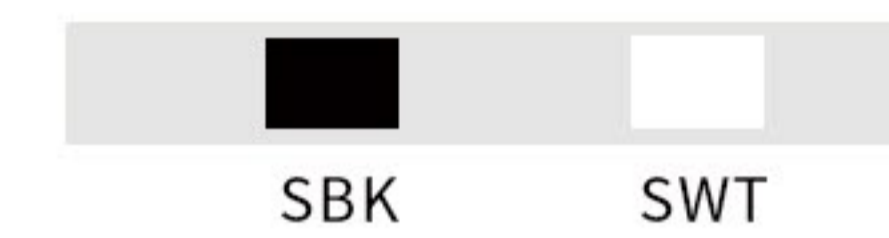
Protection Class: IP20

CCT: 3000-6500K

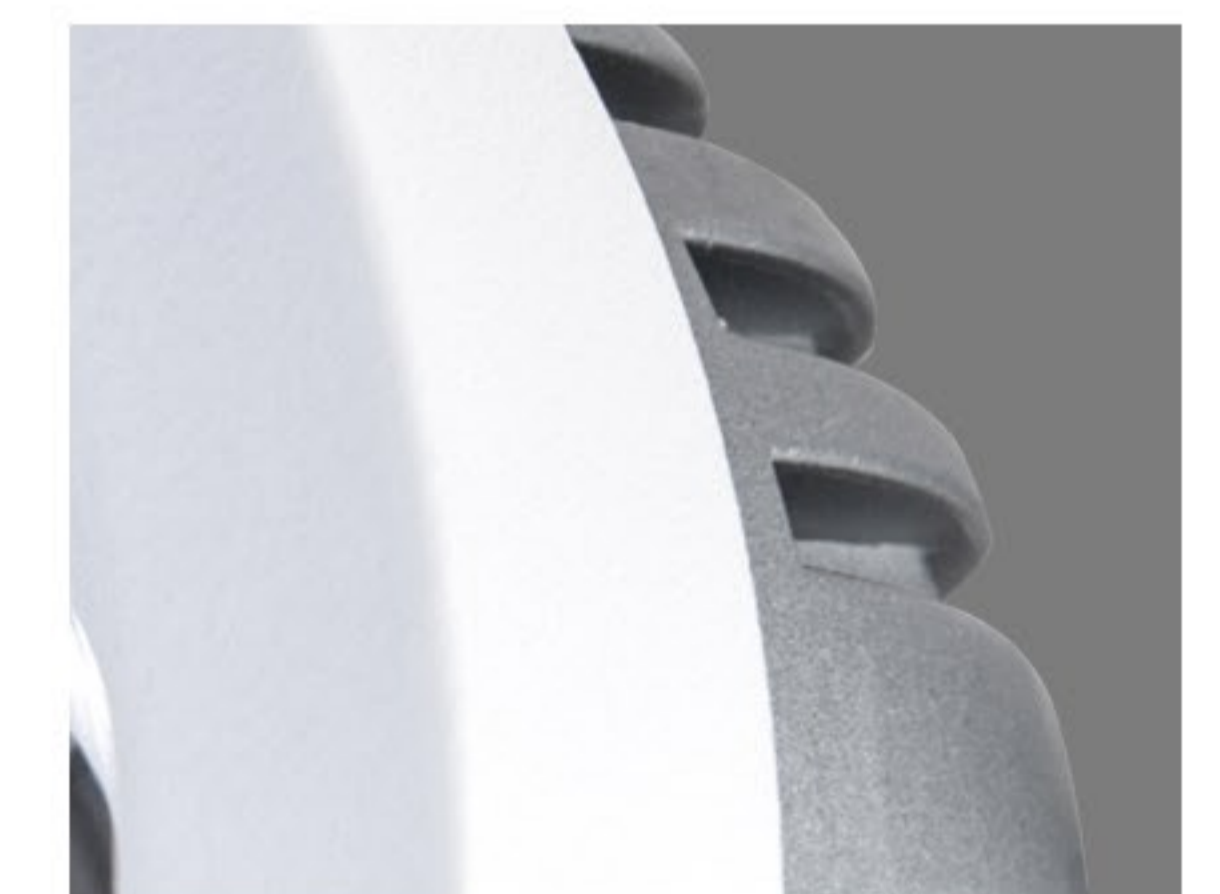
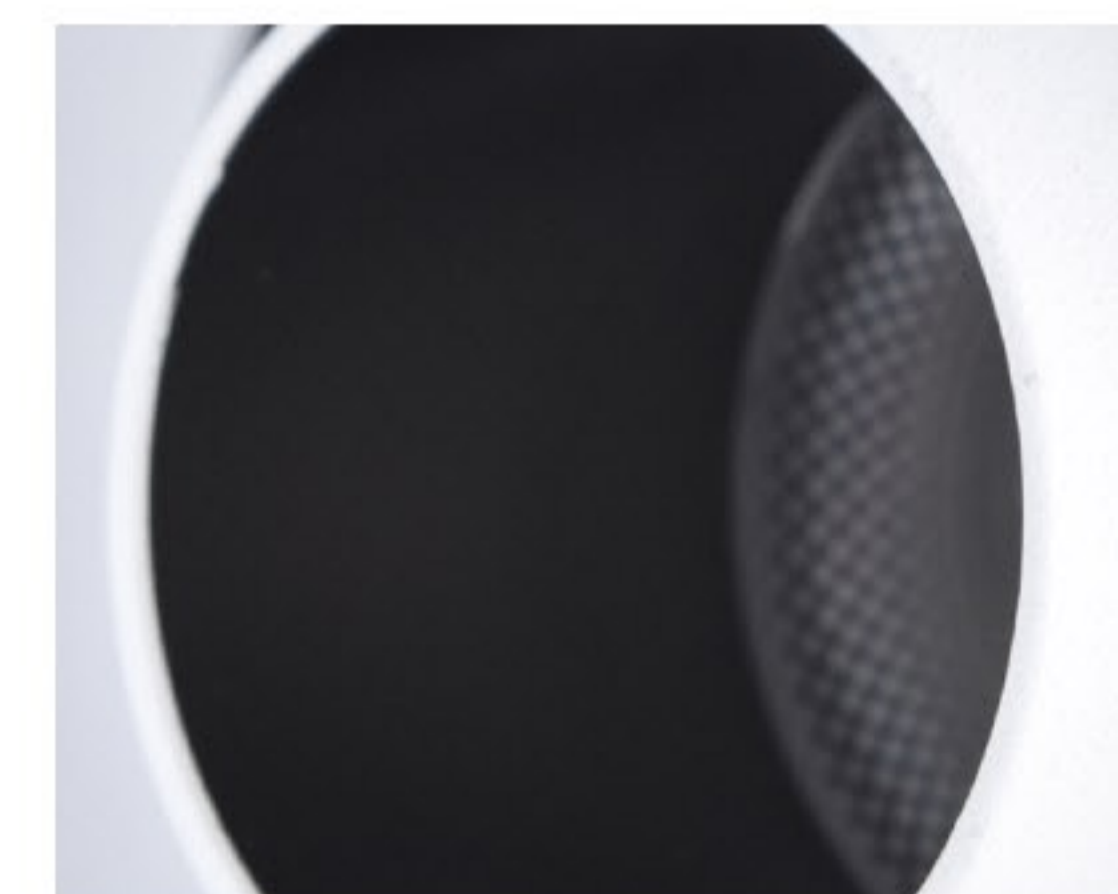
CRI: 92.1



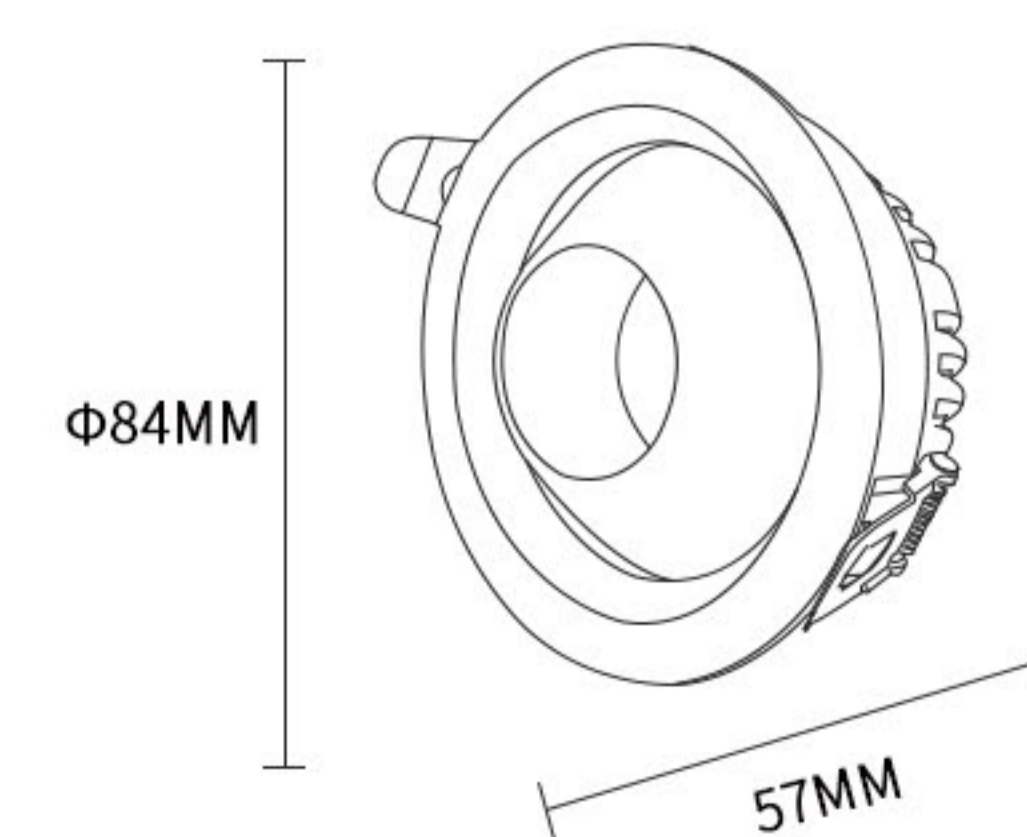
## COLOR



MODEL	SIZE	WARRANTY	INSTALLATION	CUT OUT
G089	φ84*57MM	TWO YEARS	EMBEDDED	75MM



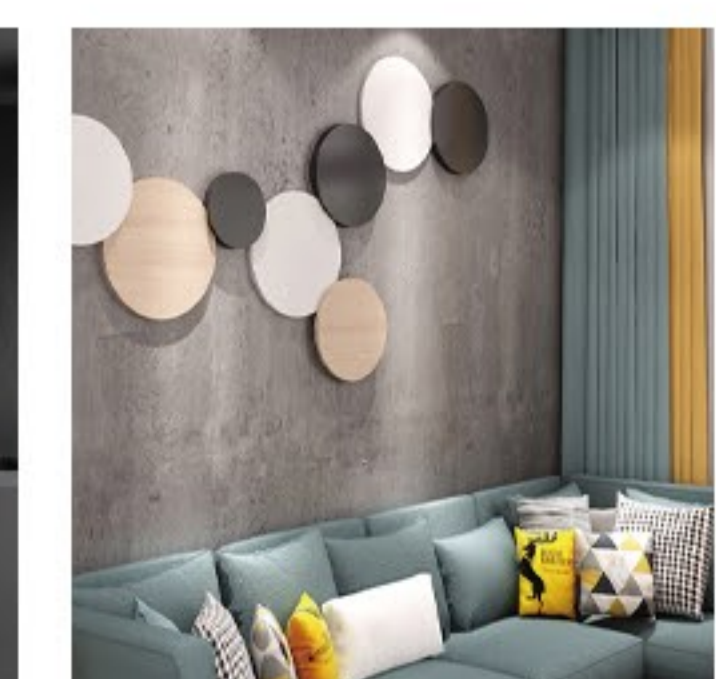
## PRODUCT DIMENSION DRAWING



## APPLICATION



COMMERCIAL



HOME DECORATION



EXHIBITION HALL

# Infrared sensor



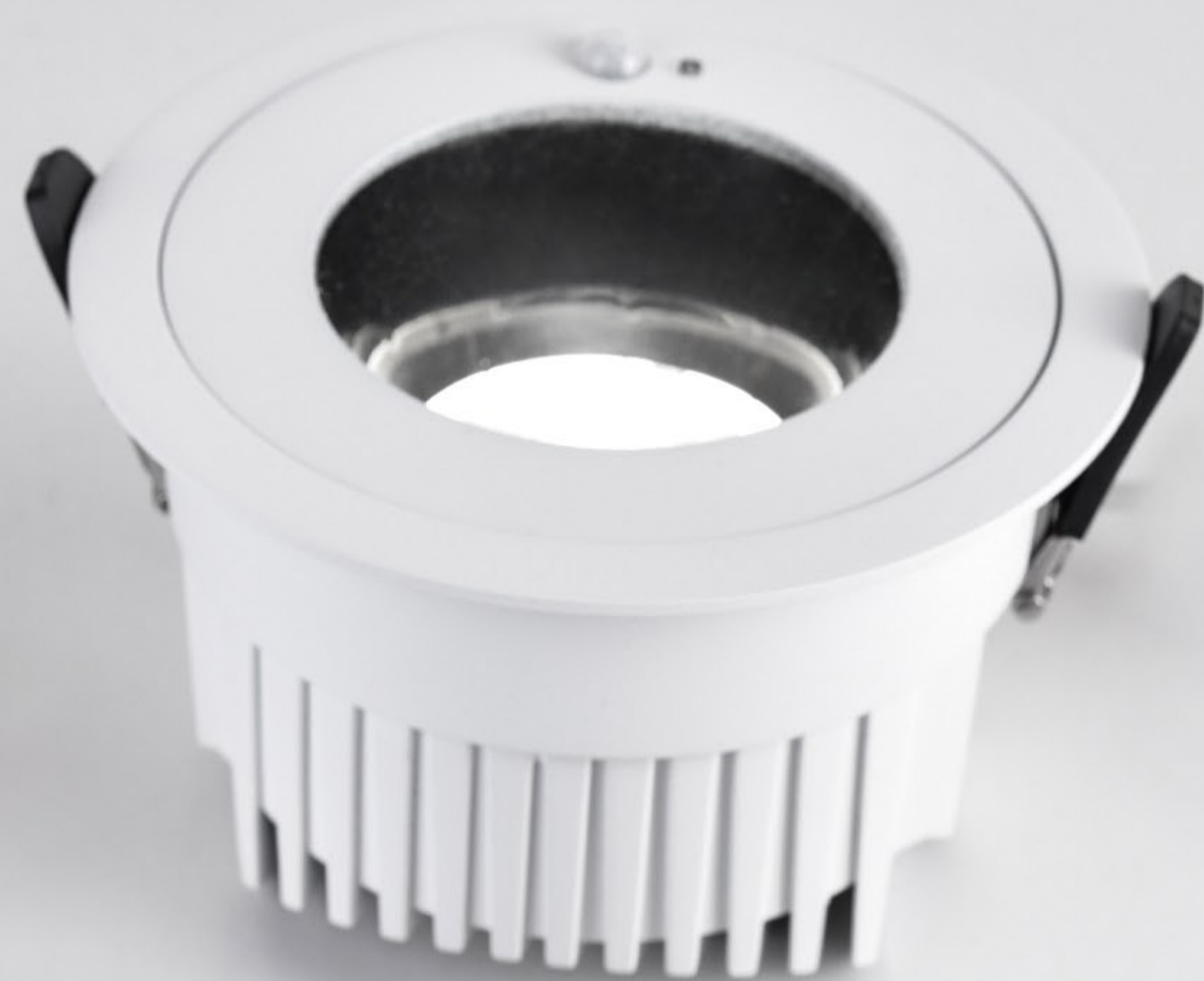
Infrared sensor



Automatic delay



Human body induction



LED HUMAN BODY SENSOR PANEL LIGHT  
( Within 5 meters distance )



Not within distance  
( Light off status )

Sensing the human body  
( Automatic continuous lighting )

30 seconds after the light is on  
( Automatically turn off the lights )

# SPOT LIGHT



## INFORMATION

UR LIGHTING

Material: Aluminum + Iron+Plastic

LED Type: COB

Protection Class: IP20

CCT: 3000-6500K

CRI: 91.4

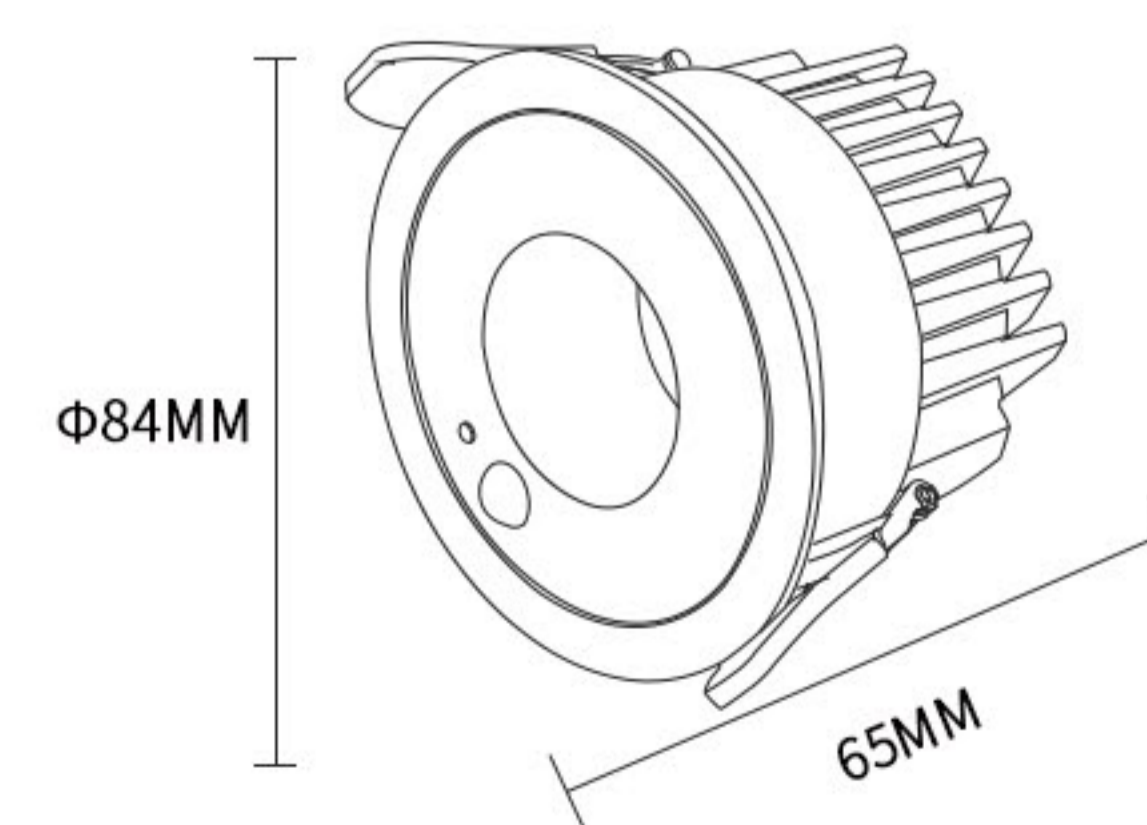
## COLOR



MODEL	SIZE	WARRANTY	INSTALLATION	CUT OUT
G129	φ84*65MM	TWO YEARS	EMBEDDED	75MM
G129	φ104*73MM	TWO YEARS	EMBEDDED	95MM
G129	φ130*85MM	TWO YEARS	EMBEDDED	120MM



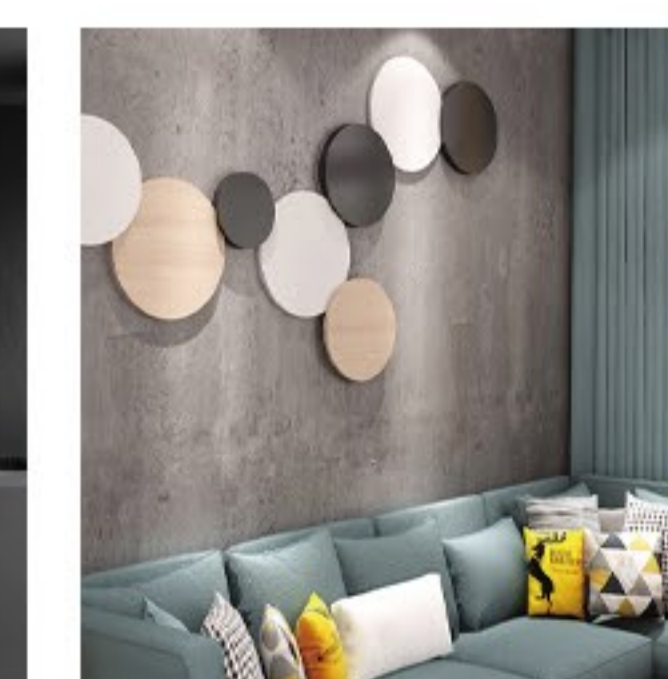
## PRODUCT DIMENSION DRAWING



## APPLICATION



COMMERCIAL



HOME DECORATION



EXHIBITION HALL